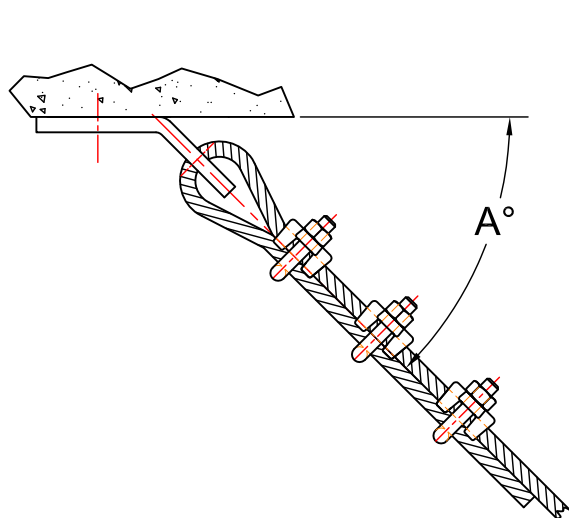


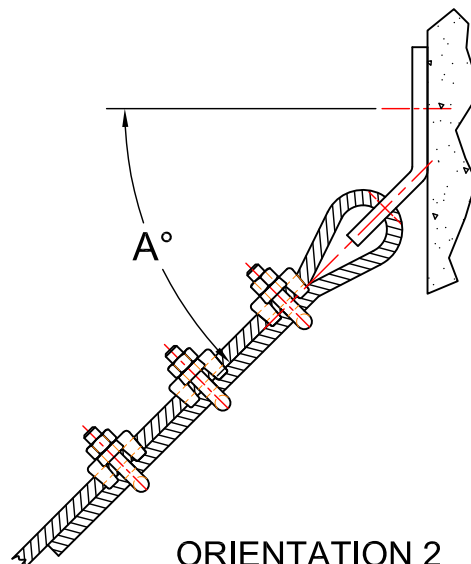
KSCC ATTACHMENT TO CONCRETE

NOTE:

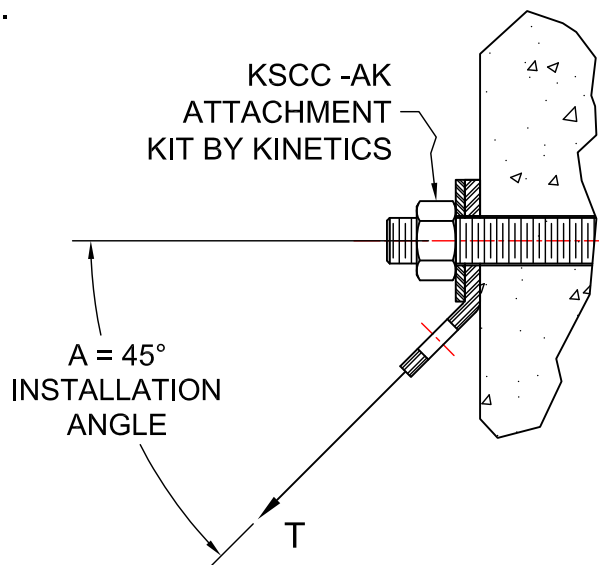
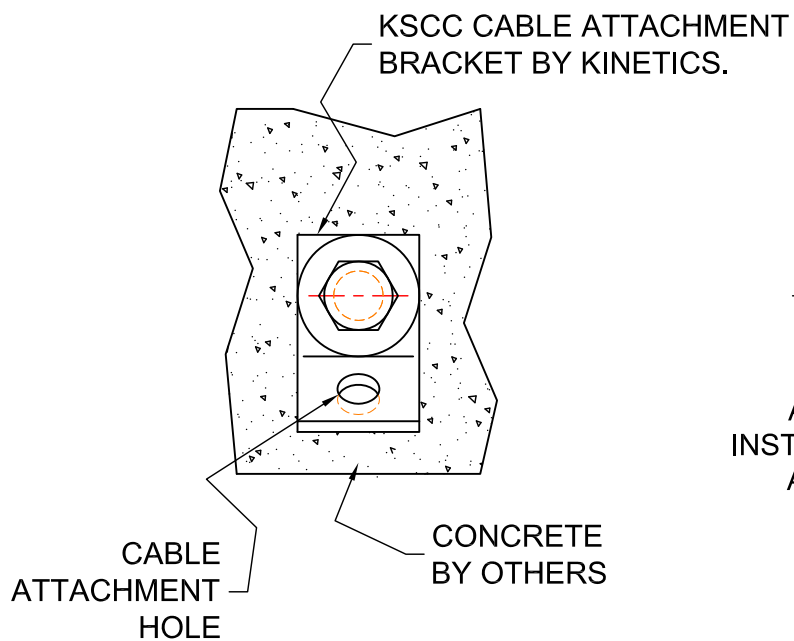
FOR CABLE RESTRAINT AND ATTACHMENT HARDWARE CAPACITIES SEE DRAWINGS S-90.405-2F & S-90.405-2H



ORIENTATION 1



ORIENTATION 2



THIS COMPONENT IS SUITABLE FOR SEISMIC APPLICATIONS SUBJECT TO THE QUALIFICATIONS INDICATED ON THIS DRAWING