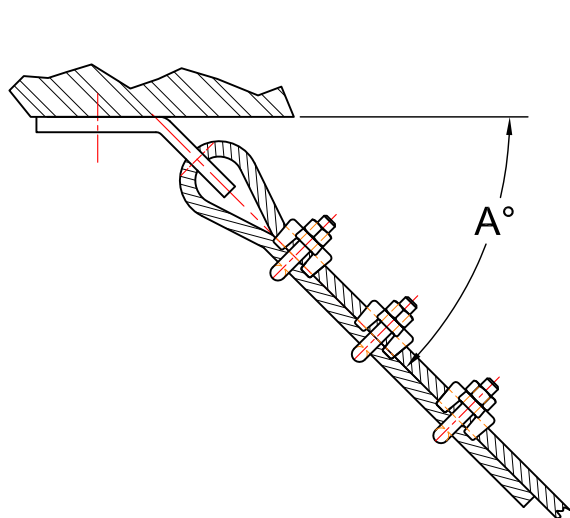
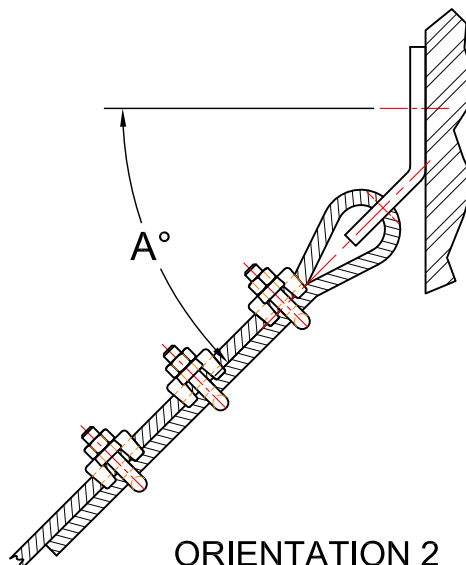


KSCC ATTACHMENT TO STEEL

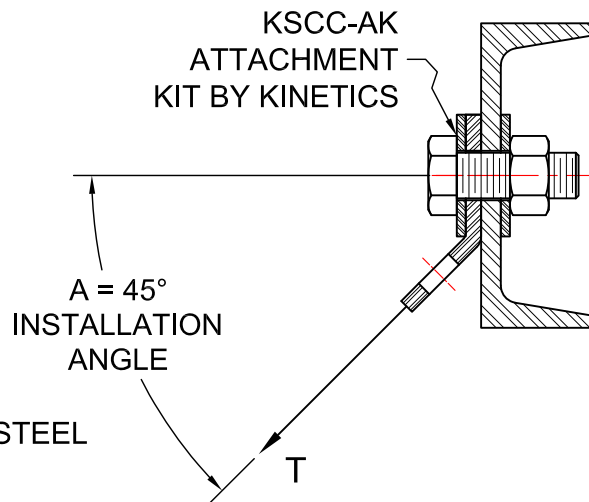
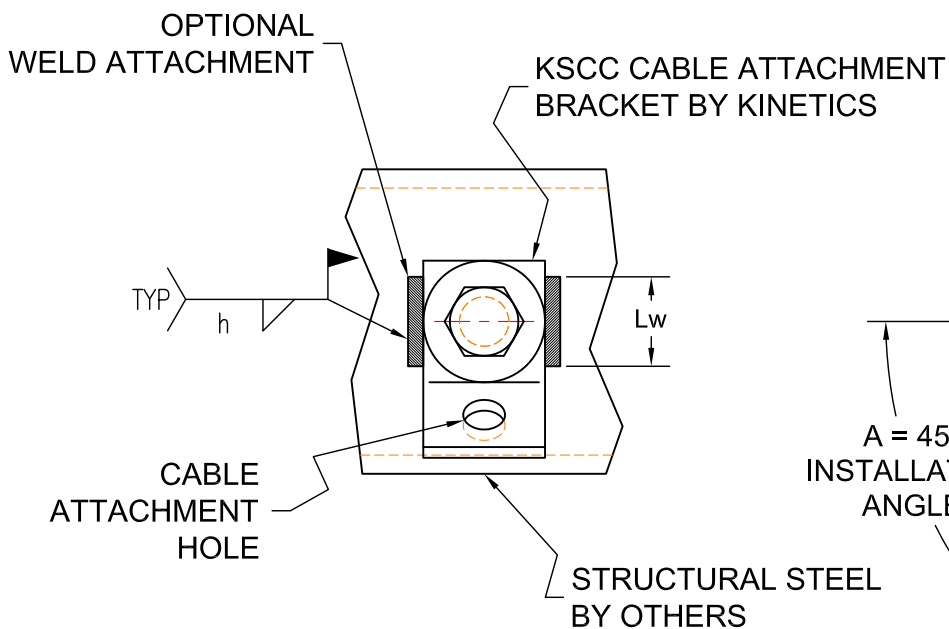
NOTE:
FOR CABLE RESTRAINT AND ATTACHMENT HARDWARE
CAPACITIES SEE DRAWING S-90.405-2F



ORIENTATION 1



ORIENTATION 2



BRACKET	Lw	h
KSCC-1	2"	$\frac{1}{4}$ "
KSCC-2	$3 \frac{1}{4}$ "	$\frac{5}{16}$ "

THIS COMPONENT IS SUITABLE FOR SEISMIC APPLICATIONS SUBJECT TO THE QUALIFICATIONS INDICATED ON THIS DRAWING



LAST DATE
REVISED
10/06/11

DRAWN BY
DCB

DRAWING NO.
S-90.385-8A