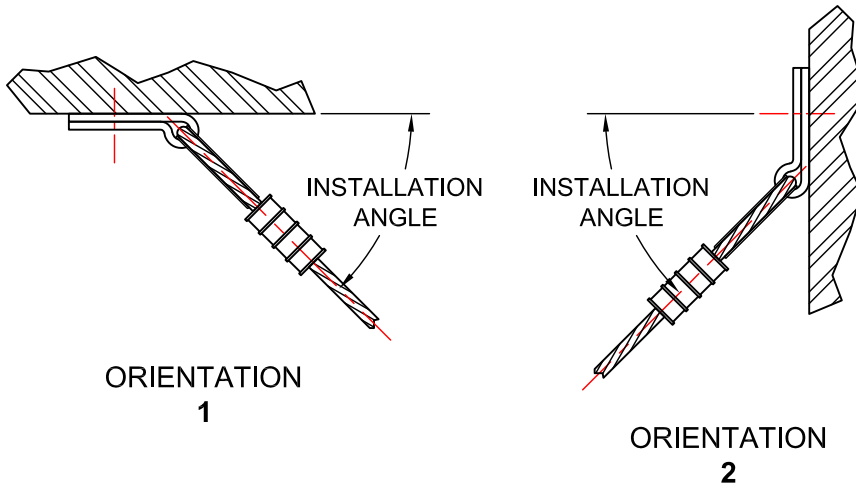
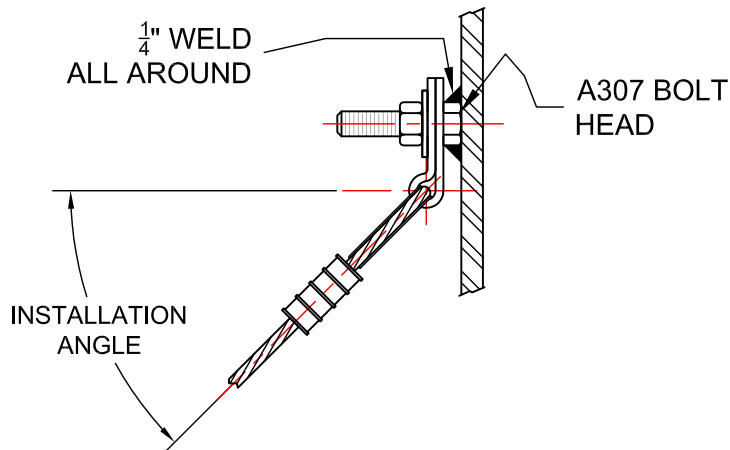
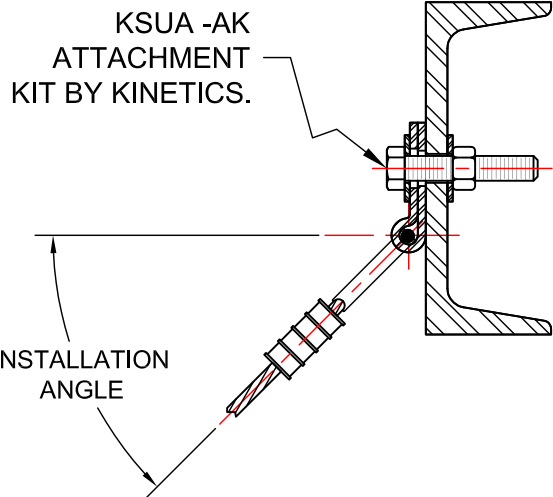
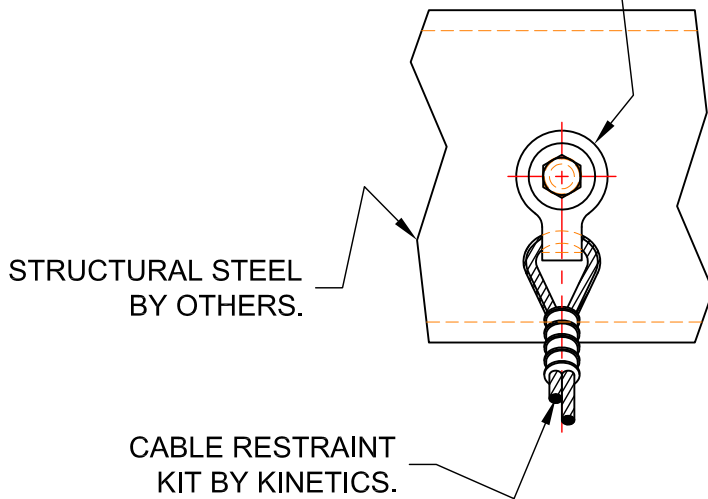


STEEL ATTACHMENT DETAIL

NOTE:
FOR CABLE RESTRAINT AND ATTACHMENT HARDWARE
CAPACITIES SEE DRAWING S-90.405-2C.



KSUA CABLE ATTACHMENT
BRACKET BY KINETICS.



THIS COMPONENT IS SUITABLE FOR SEIMIC APPLICATIONS SUBJECT TO THE QUALIFICATIONS INDICATED ON THIS DRAWING.