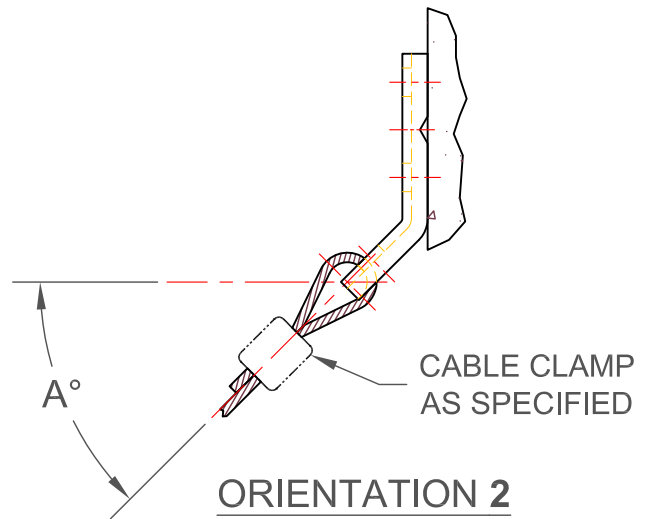
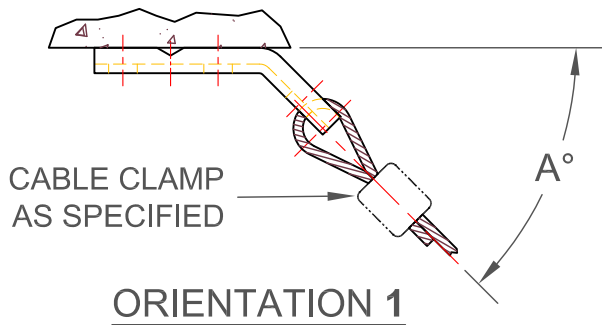


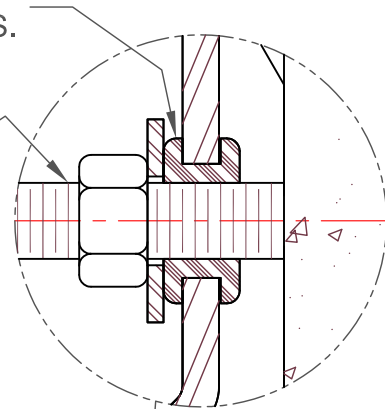
# KSCA ATTACHMENT TO CONCRETE

**NOTE:**  
FOR ATTACHMENT HARDWARE CAPACITIES  
SEE DRAWING S-90.405-2E



NEOPRENE GROMMET REQUIRED  
FOR KSCA-AK-250/375 BY KINETICS.

CONCRETE ANCHOR  
BY KINETICS.



FOR ANCHOR EMBEDMENT & EDGE DIST.  
SEE DOCUMENT ANC-1,  
"GENERAL ANCHOR ANCHOR INSTALLATION DATA".

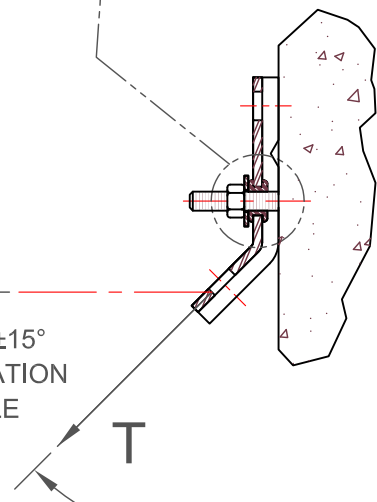
KSCA BRACKET  
BY KINETICS.

**DO NOT USE  
THIS HOLE!!**

CONCRETE  
BY OTHERS.

CABLE  
ATTACHMENT  
HOLE.

$A = 45^\circ \pm 15^\circ$   
INSTALLATION  
ANGLE



THIS COMPONENT IS SUITABLE FOR SEISMIC APPLICATIONS SUBJECT TO THE QUALIFICATIONS INDICATED ON THIS DRAWING



LAST DATE  
REVISED  
09/28/11

DRAWN BY  
DCB

DRAWING NO.  
S-90.385-2B