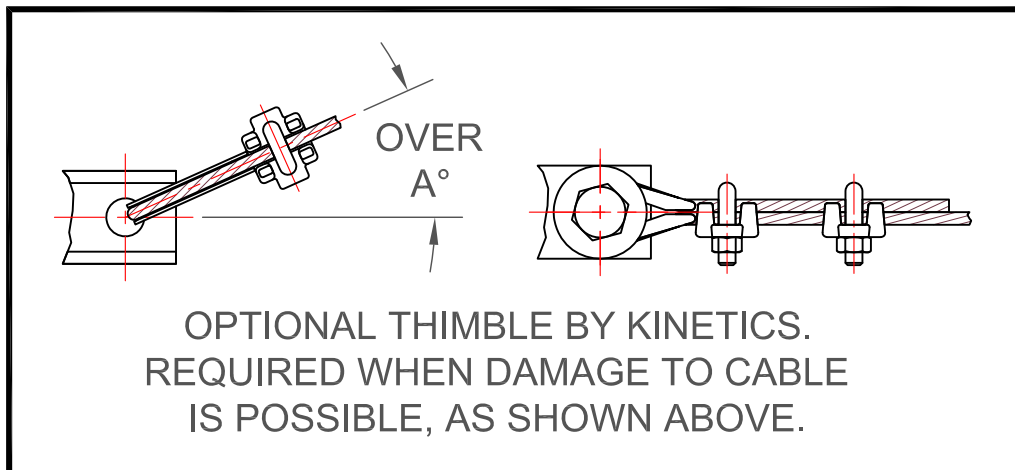
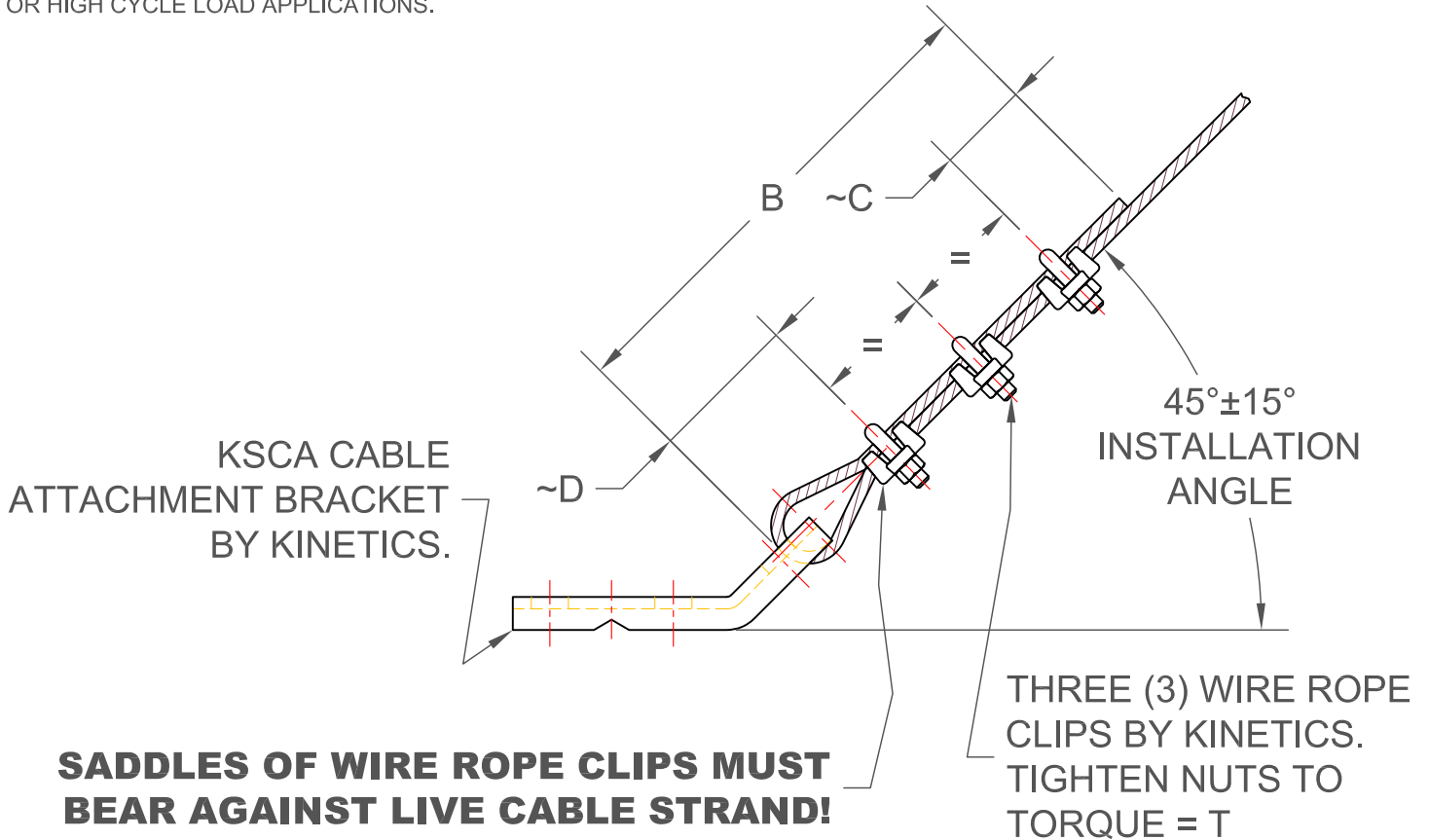


KSWC END LOOP WITH CLIPS & THIMBLE

MODEL	CABLE SIZE		DIM. A	DIM. B		DIM. C		DIM. D		TORQUE T	
	in	mm	DEG.	in	mm	in	mm	in	mm	in*lb	N*M
KSWC-2	1/8	3.2	26	4.75	121	0.56	14	2.78	71	36	4.1
KSWC-3	3/16	4.8	24	5.50	140	0.63	16	2.94	75	54	6.1
KSWC-4	1/4	6.4	22	7.00	178	0.75	19	3.19	81	180	20.3

NOTE: THIS INSTALLATION IS NOT RECOMMENDED FOR WEIGHTBEARING, OR HIGH CYCLE LOAD APPLICATIONS.



THIS COMPONENT IS SUITABLE FOR SEISMIC APPLICATIONS SUBJECT TO THE QUALIFICATIONS INDICATED ON THIS DRAWING



LAST DATE
REVISED
09/28/11

DRAWN BY
DCB

DRAWING NO.
S-90.382-1B