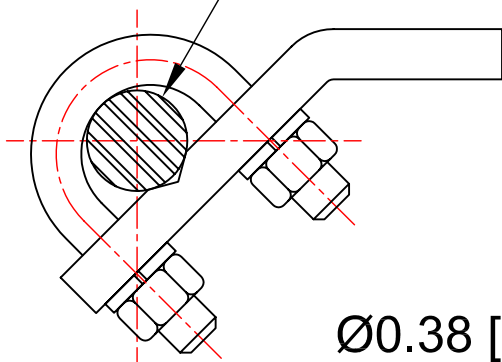
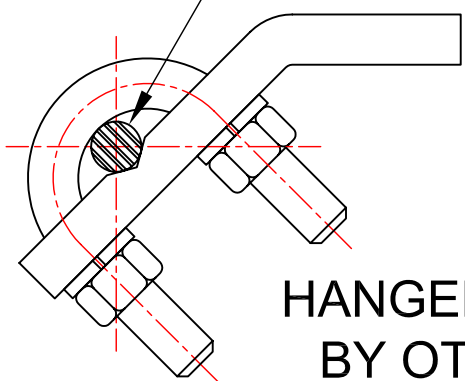


KSCA U-BOLT, NUTS, AND LOCK WASHERS BY KINETICS

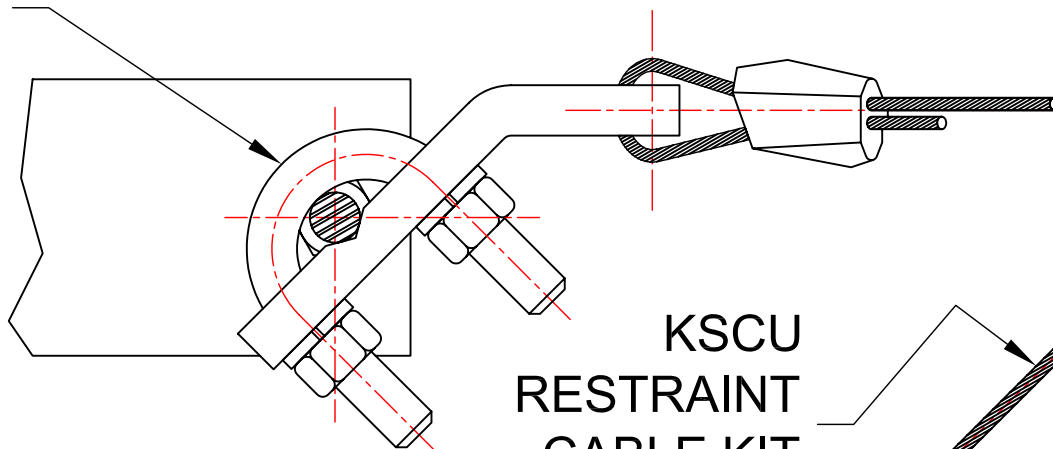
Ø1.0 [Ø25] MAX.  
HANGER ROD.



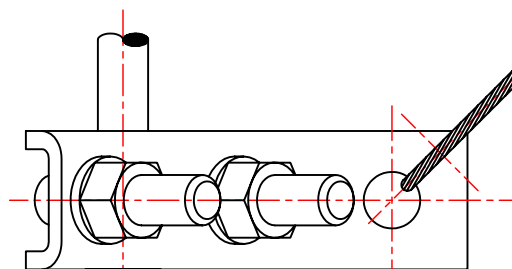
Ø0.38 [Ø10] MIN.  
HANGER ROD.



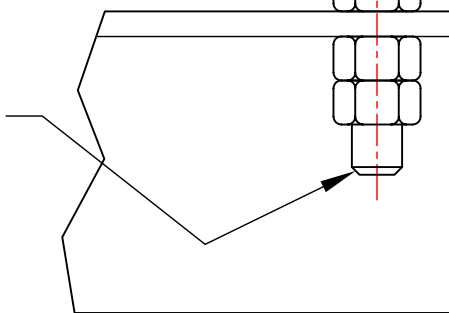
HANGER ROD  
BY OTHERS.



KSCU  
RESTRAINT  
CABLE KIT  
BY KINETICS.



KSCA RESTRAINT  
CABLE ATTACHMENT  
BRACKET BY KINETICS.



TRAPEZE BAR  
BY OTHERS.



TITLE	KSCA U-BOLT SEISMIC CABLE RESTRAINT ATTACHMENT INSTALLATION	LAST DATE REVISED	12-4-06	REVISED BY	RSS	DRAWING NO.	S-90.365-1A
-------	---	----------------------	---------	------------	-----	-------------	-------------