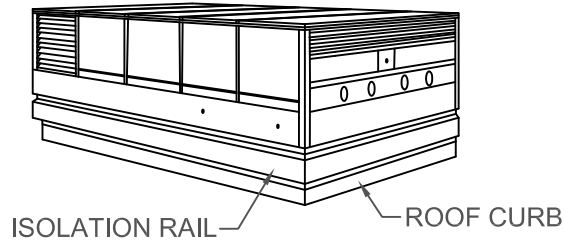


SPECIFICATIONS

- SPRING ISOLATORS ARE COMPUTER SELECTED AND LOCATED TO PROVIDE A NOMINAL 1.00 INCH (25 mm) STATIC DEFLECTION.
- SPRING ISOLATORS HAVE A MINIMUM Kx/Ky OF 1.2.
- SPRING ISOLATORS HAVE A TYPICAL OVERLOAD CAPACITY OF 50%.
- SPRING ISOLATORS ARE SAFE AT SOLID LOADING.
- SPRING ISOLATORS ARE POWDER COATED.
- ALL UNITS SUPPLIED WITH A TROUBLESHOOTING PACKAGE FOR LEVELING EQUIPMENT, IF REQUIRED, DURING INSTALLATION.

ROOFTOP EQUIPMENT



RATED LOAD LB/KG	RATED DEFL. IN/mm	SPRING FR. HT. IN/mm	SPRING O. D. IN/mm	SPRING COLOR CODE
30/14	1.00/25	2.50/63	1.46/37	BLUE
65/30	1.00/25	2.50/63	1.46/37	GREEN
120/55	1.00/25	2.50/63	1.46/37	GRAY
205/93	1.00/25	2.50/63	1.46/37	BROWN

PRE-PUNCHED BOLTING HOLES IN TOP EXTRUSION FOR HARDWARE SUPPLIED BY KNC

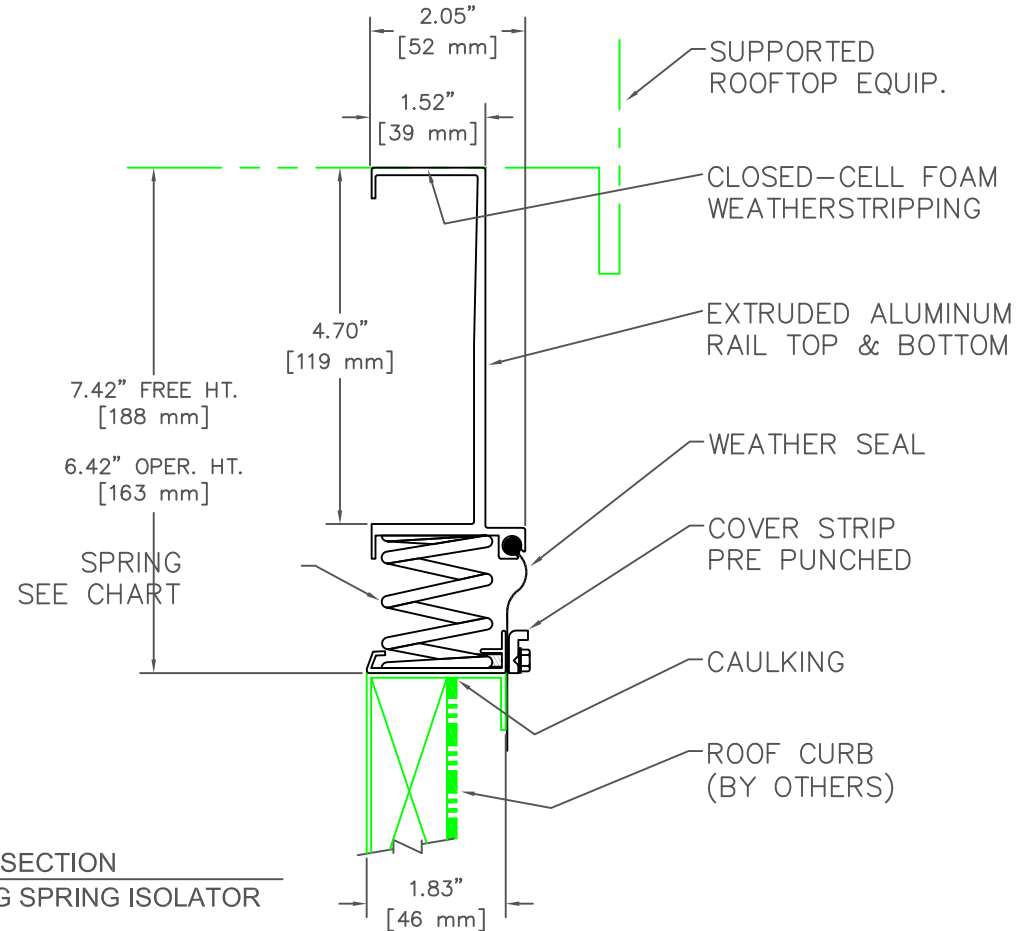
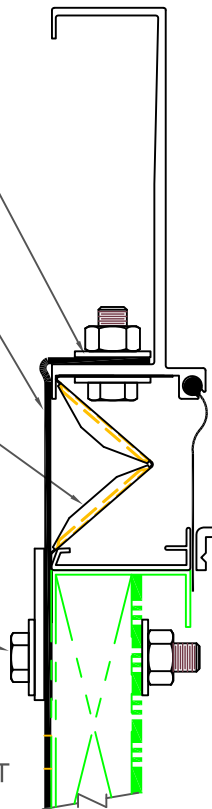
KSR VERTICAL RESTRAINT (OPT - AS REQUIRED)

WIND/SEISMIC RESTRAINT BRACKET QUANTITY AND LOCATION DETERMINED BY KNC PER ORDER

HARDWARE BY KNC

TYPICAL SECTION SHOWING WIND/SEISMIC LATERAL & VERTICAL RESTRAINT

NOTE:
IF SEISMIC APPLICATION IS REQUIRED CONSULT SALES REPRESENTATIVE.



TYPICAL SECTION SHOWING SPRING ISOLATOR



TITLE KSR-1 ISOLATION RAIL W/ HORIZONTAL & VERTICAL RESTRAINTS

LAST DATE REVISED 03/01/10

REVISED BY DCB

DRAWING NO. S-88.400

S-88