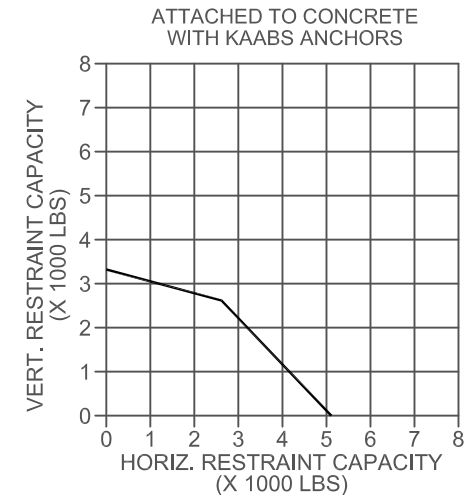
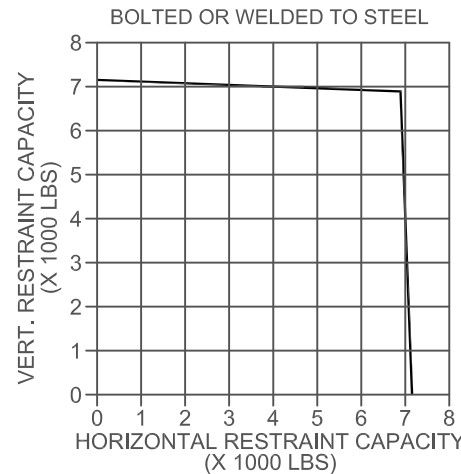
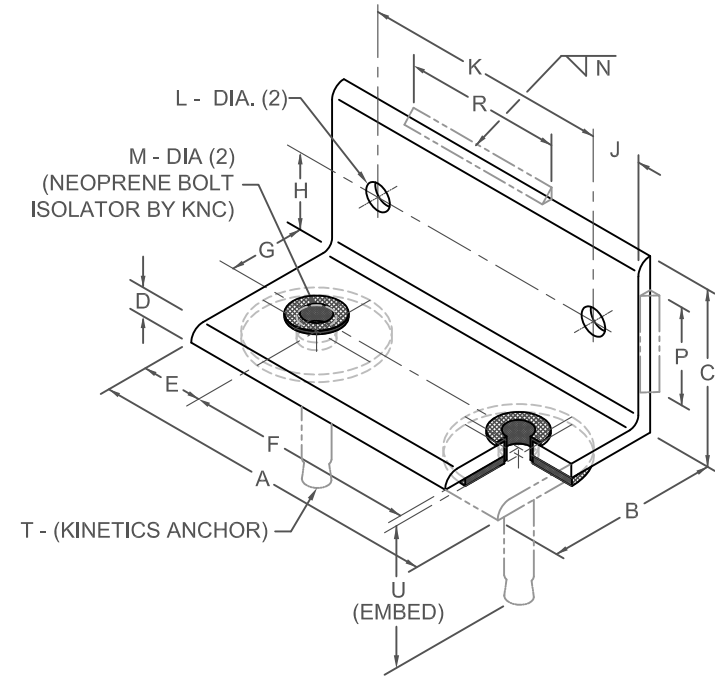


KSMG SEISMIC EQUIPMENT CLIP												
I-P UNITS (INCHES AND POUNDS)												
TYPE	A	B	C	D	E	F	G	H	J	K	L	M
KSMG-5	11.50	5.00	5.00	0.75	1.75	8.00	2.50	2.50	0.94	9.63	0.69	0.63

WELD OPTION			
TYPE	N	P	R
KSMG-5	0.25	2.00	6.00

KAABS OPTION		
TYPE	T	U
KSMG-5	0.63	5.00



COMPUTED HORIZONTAL AND VERTICAL SEISMIC LOAD COMBINATIONS MUST FALL WITHIN THE RESTRAINT CAPACITY ENVELOPE.

SPECIFICATIONS:

- FINISH: HOT DIPPED GALVANIZED.



KINETICS NOISE CONTROL, INC
 6300 IRELAN PL,
 DUBLIN, OH 43017 USA
 Ph: 614 889-0480, Fax: 614 889-0540
 www.kineticsnoise.com

Model:
KSMG-5

By: JW
 Date: 01/02/04
 Revised: 05/11/11 / BB

Drawing No:
S-88.071-4A