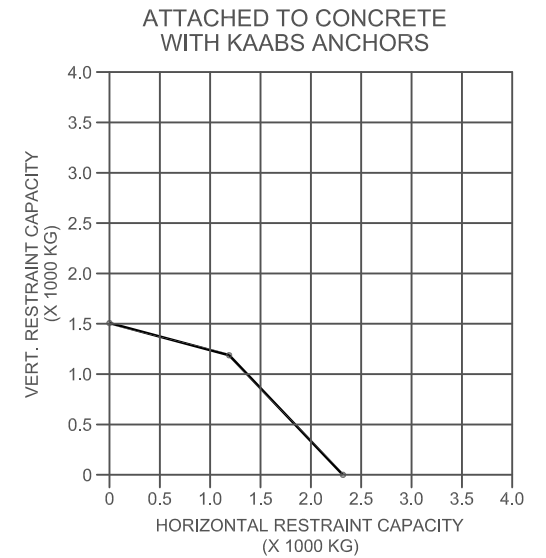
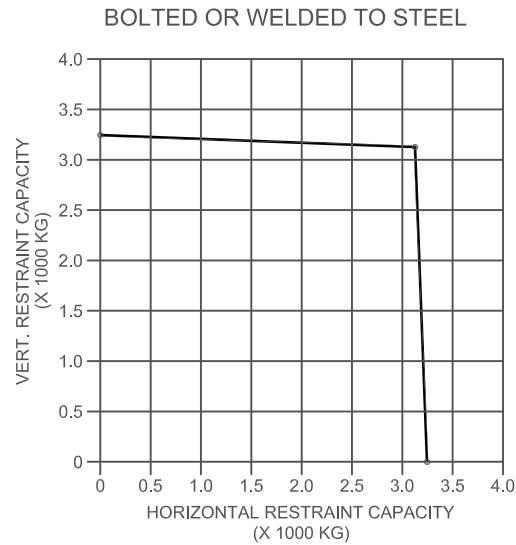
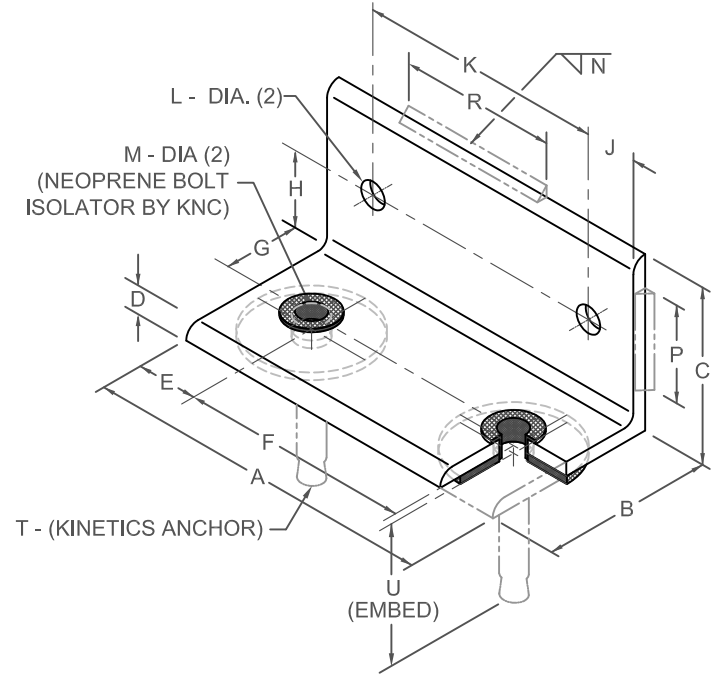


KSMG SEISMIC EQUIPMENT CLIP												
SI UNITS (mm AND kg)												
TYPE	A	B	C	D	E	F	G	H	J	K	L	M
KSMG-5	292	127	127	19	44	203	64	64	24	244	17	16

WELD OPTION			
TYPE	N	P	R
KSMG-5	6	51	152

KAABS OPTION		
TYPE	T	U
KSMG-5	16	127



COMPUTED HORIZONTAL AND VERTICAL SEISMIC LOAD COMBINATIONS MUST FALL WITHIN THE RESTRAINT CAPACITY ENVELOPE.

**SPECIFICATIONS:**

- FINISH: HOT DIPPED GALVANIZED.



KINETICS NOISE CONTROL, INC  
 6300 IRELAN PL,  
 DUBLIN, OH 43017 USA  
 Ph: 614 889-0480, Fax: 614 889-0540  
 www.kineticsnoise.com

Model:  
**KSMG-5**

By: **BB**  
 Date: **10/21/10**  
 Revised: **05/11/11 / BB**

Drawing No:  
**S-88.071-4A**  
**METRIC**