

# KSMG SEISMIC EQUIPMENT CLIP

I-P UNITS (INCHES AND POUNDS)

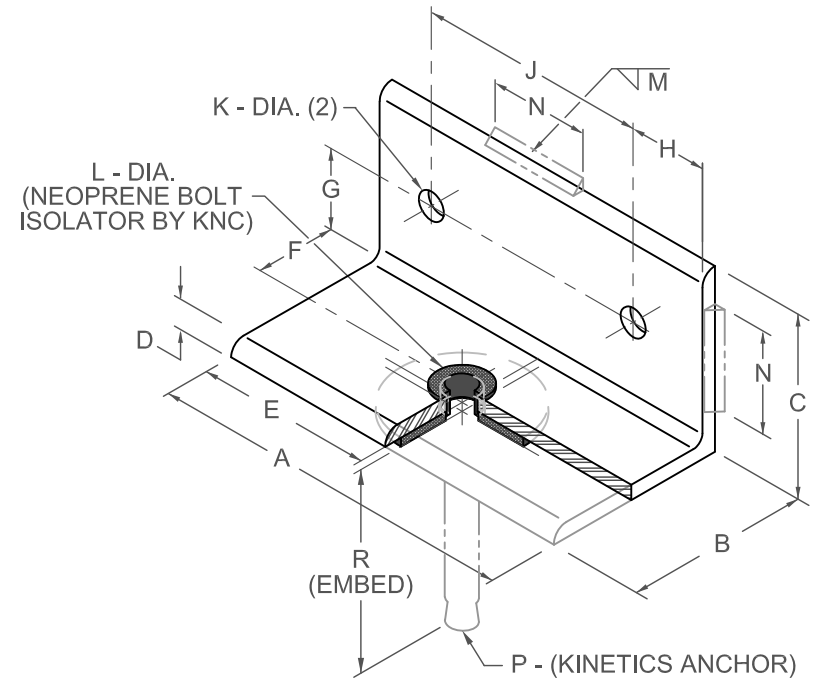
| TYPE   | A    | B    | C    | D    | E    | F    | G    | H    | J    | K    | L    |
|--------|------|------|------|------|------|------|------|------|------|------|------|
| KSMG-2 | 7.75 | 5.00 | 5.00 | 0.38 | 3.88 | 2.63 | 2.63 | 0.56 | 6.63 | 0.44 | 0.38 |
| KSMG-3 | 8.00 | 5.00 | 5.00 | 0.50 | 4.00 | 2.50 | 2.50 | 0.75 | 6.50 | 0.56 | 0.50 |
| KSMG-4 | 8.25 | 5.00 | 5.00 | 0.63 | 4.13 | 2.38 | 2.38 | 0.94 | 6.38 | 0.69 | 0.63 |

## WELD OPTION

| TYPE   | M    | N    |
|--------|------|------|
| KSMG-2 | 0.13 | 2.00 |
| KSMG-3 | 0.25 | 2.75 |
| KSMG-4 | 0.25 | 4.00 |

## KAABS OPTION

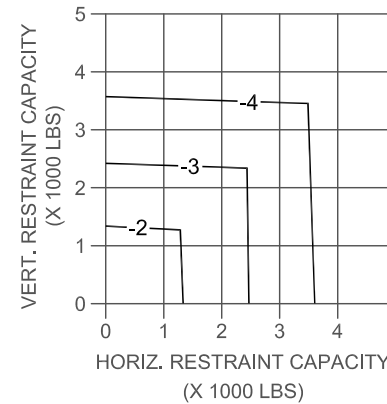
| TYPE   | P    | R    |
|--------|------|------|
| KSMG-2 | 0.38 | 3.00 |
| KSMG-3 | 0.50 | 4.00 |
| KSMG-4 | 0.63 | 5.00 |



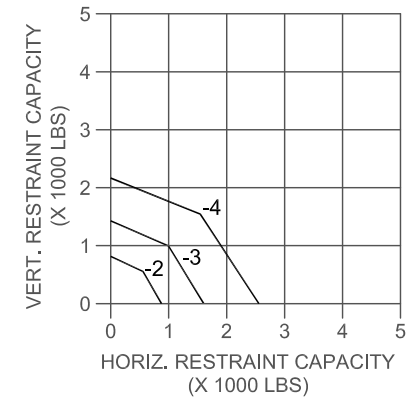
### SPECIFICATIONS:

- FINISH: HOT DIPPED GALVANIZED.
- NEOPRENE ISOLATION ELEMENTS.

BOLTED OR WELDED TO STEEL



ATTACHED TO CONCRETE WITH KAABS ANCHOR



COMPUTED HORIZONTAL AND VERTICAL SEISMIC LOAD COMBINATIONS MUST FALL WITHIN THE RESTRAINT CAPACITY ENVELOPE.



KINETICS NOISE CONTROL, INC  
6300 IRELAN PL.,  
DUBLIN, OH 43017 USA  
Ph: 614 889-0480, Fax: 614 889-0540  
www.kineticsnoise.com

Model:  
KSMG

By: JW  
Date: 11/14/03  
Revised: 05/11/11/BB

Drawing No:  
S-88.071-3A