

KSMG SEISMIC EQUIPMENT CLIP

SI UNITS (mm AND kg)

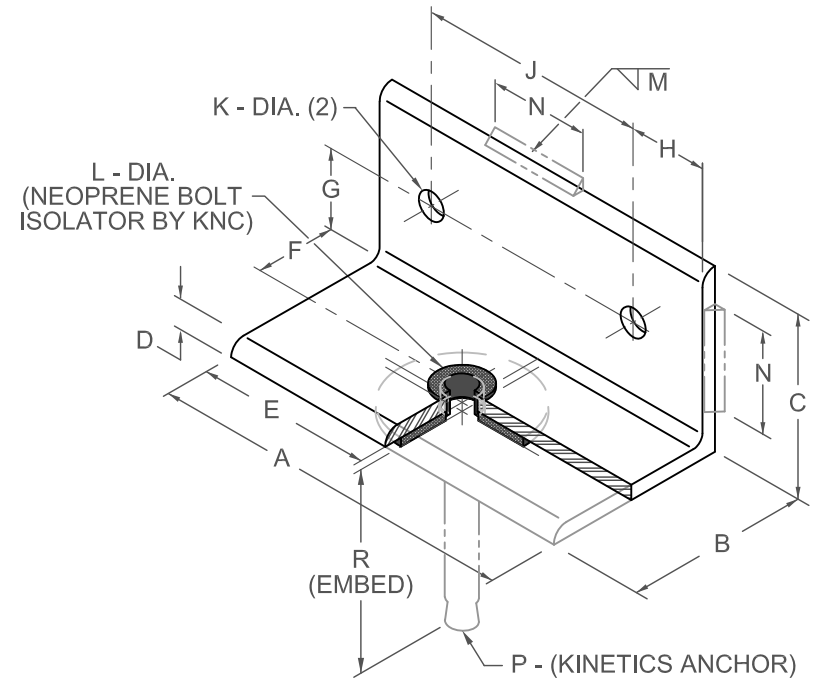
TYPE	A	B	C	D	E	F	G	H	J	K	L
KSMG-2	197	127	127	10	98	67	67	14	168	11	10
KSMG-3	203	127	127	13	102	64	64	19	165	14	13
KSMG-4	210	127	127	16	105	60	60	24	162	17	16

WELD OPTION

TYPE	M	N
KSMG-2	3	51
KSMG-3	6	70
KSMG-4	6	102

KAABS OPTION

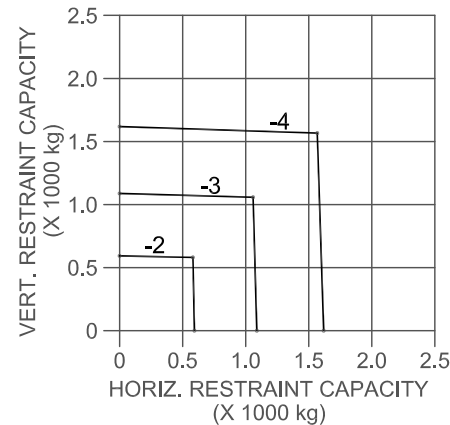
TYPE	P	R
KSMG-2	10	76
KSMG-3	13	102
KSMG-4	16	127



SPECIFICATIONS:

- FINISH: HOT DIPPED GALVANIZED.
- NEOPRENE ISOLATION ELEMENTS.

BOLTED OR WELDED TO STEEL



ATTACHED TO CONCRETE WITH KAABS ANCHOR



COMPUTED HORIZONTAL AND VERTICAL SEISMIC LOAD COMBINATIONS MUST FALL WITHIN THE RESTRAINT CAPACITY ENVELOPE.



KINETICS NOISE CONTROL, INC
6300 IRELAN PL.,
DUBLIN, OH 43017 USA
Ph: 614 889-0480, Fax: 614 889-0540
www.kineticsnoise.com

Model:
KSMG

By: DCB
Date: 05/28/04
Revised: 05/11/11/BB

Drawing No:
S-88.071-3A
METRIC