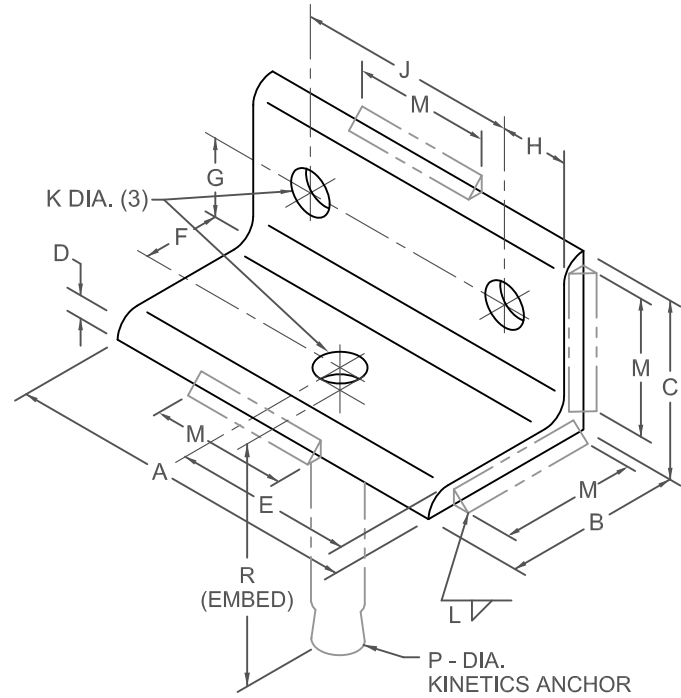


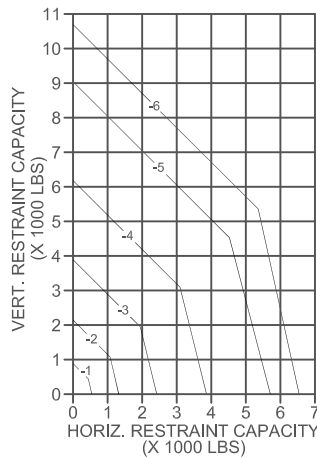
KSMS SEISMIC EQUIPMENT CLIP										
I-P UNITS (INCHES AND POUNDS)										
TYPE	A	B	C	D	E	F	G	H	J	K
KSMS-1	4.25	2.00	2.00	0.25	2.13	0.75	0.75	0.38	3.50	0.31
KSMS-2	5.75	2.50	2.50	0.38	2.88	0.88	0.88	0.56	4.63	0.44
KSMS-3	7.00	3.00	3.00	0.50	3.50	1.00	1.00	0.75	5.50	0.56
KSMS-4	9.50	4.00	4.00	0.63	4.75	1.38	1.38	0.94	7.63	0.69
KSMS-5	12.00	5.00	5.00	0.75	6.00	1.75	1.75	1.13	9.75	0.81
KSMS-6	10.00	6.00	6.00	1.00	5.00	2.00	2.00	1.50	7.00	1.06

WELD OPTION		
TYPE	M	N
KSMS-1	0.13	1.00
KSMS-2	0.13	2.00
KSMS-3	0.25	2.75
KSMS-4	0.25	4.00
KSMS-5	0.25	5.00
KSMS-6	0.25	6.00

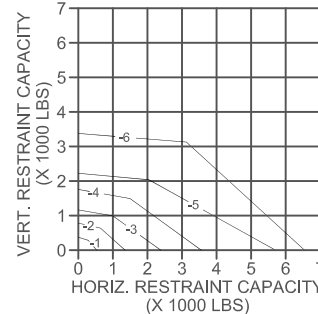
OPTIONAL ANCHOR						
TYPE	KCAB		KCCAB		KUAB	
	P	R	P	R	P	R
KSMS-1	0.25	2.00				
KSMS-2	0.38	3.00	0.38	2.00	0.38	4.00
KSMS-3	0.50	4.00	0.50	3.25	0.50	5.00
KSMS-4	0.63	5.00	0.63	4.00	0.63	7.00
KSMS-5	0.75	6.00	0.75	4.75		
KSMS-6	1.00	8.00				



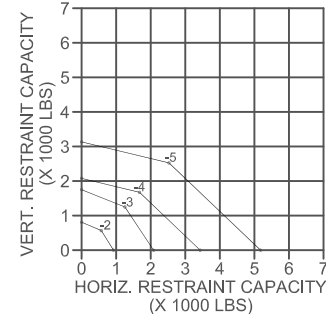
BOLTED OR WELDED TO STEEL



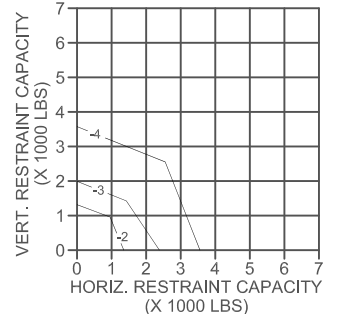
ATTACHED TO CONCRETE WITH KCAB ANCHORS



ATTACHED TO CONCRETE WITH KCCAB ANCHORS



ATTACHED TO CONCRETE WITH KUAB ANCHORS



SPECIFICATIONS:

- FINISH: HOT DIPPED GALVANIZED

COMPUTED HORIZONTAL AND VERTICAL SEISMIC LOAD COMBINATIONS MUST FALL WITHIN THE RESTRAINT CAPACITY ENVELOPE.



KINETICS NOISE CONTROL, INC
6300 IRELAN PL,
DUBLIN, OH 43017 USA
Ph: 614 889-0480, Fax: 614 889-0540
www.kineticsnoise.com

Model:
KSMS

By: RSS
Date: 10/30/03
Revised: 10/29/10 / BB

Drawing No:
S-88.071-2A