

MODEL KSMS

KSMS SEISMIC EQUIPMENT CLIP

SI UNITS (mm AND kg)

TYPE	A	B	C	D	E	F	G	H	J	K
KSMS-1	108	51	51	6	54	19	19	10	89	8
KSMS-2	146	64	64	10	73	22	22	14	117	13
KSMS-3	178	76	76	13	89	25	25	19	140	14
KSMS-4	241	102	102	16	121	35	35	24	194	17
KSMS-5	305	127	127	19	152	44	44	29	248	21
KSMS-6	254	152	152	25	127	51	51	38	178	27

SPECIFICATIONS:

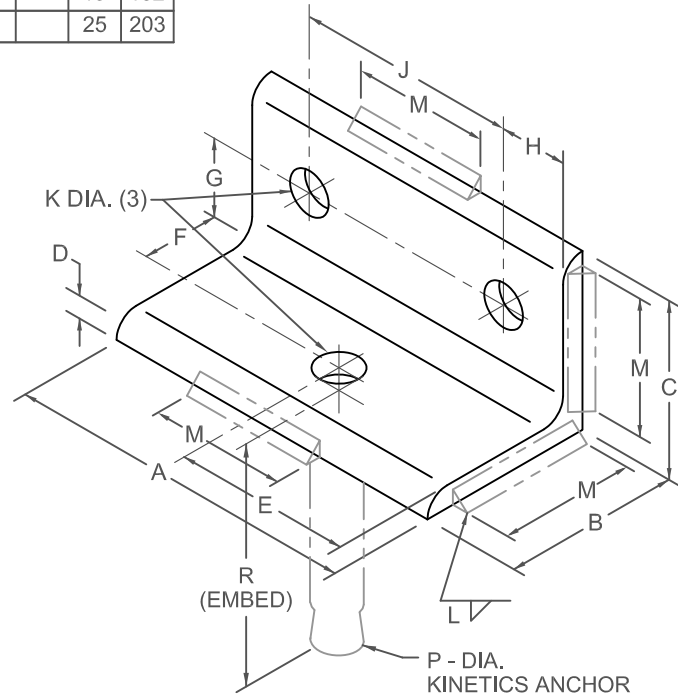
- FINISH: HOT DIPPED GALVANIZED

WELD OPTION

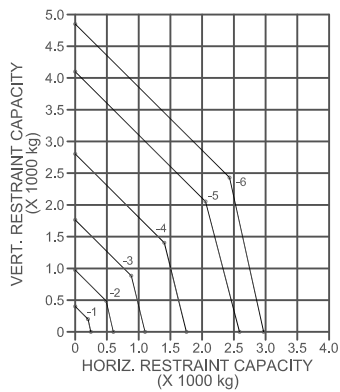
TYPE	M	N
KSMS-1	3	25
KSMS-2	3	51
KSMS-3	6	70
KSMS-4	6	102
KSMS-5	6	127
KSMS-6	6	152

OPTIONAL ANCHOR

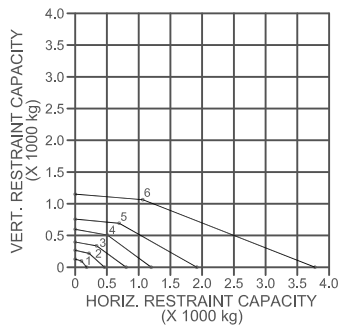
TYPE	KCAB		KCCAB		KUAB		KAABC	
	P	R	P	R	P	R	P	R
KSMS-1	6	51						0
KSMS-2	11	76	11	51	11	102	11	76
KSMS-3	13	102	13	83	13	127	13	102
KSMS-4	16	127	16	102	16	178	16	127
KSMS-5	19	152	19	121			19	152
KSMS-6	25	203					25	203



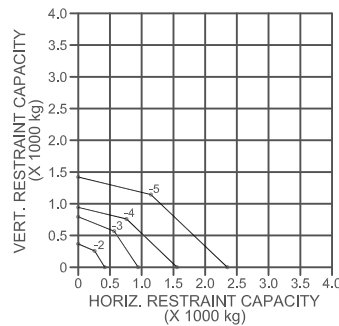
BOLTED OR WELDED TO STEEL



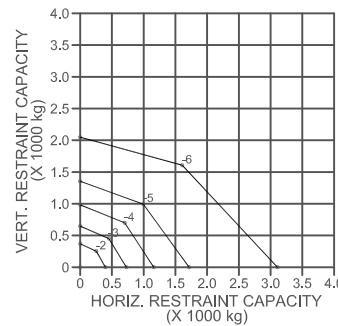
ATTACHED TO CONCRETE WITH KCAB ANCHOR



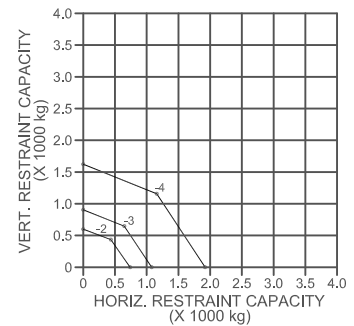
ATTACHED TO CONCRETE WITH KCCAB ANCHOR



ATTACHED TO CONCRETE WITH KAABC ANCHOR



ATTACHED TO CONCRETE WITH KUAB ANCHOR



COMPUTED HORIZONTAL AND VERTICAL SEISMIC LOAD COMBINATIONS MUST FALL WITHIN THE RESTRAINT CAPACITY ENVELOPE.



KINETICS NOISE CONTROL, INC
6300 IRELAN PL,
DUBLIN, OH 43017 USA
Ph: 614 889-0480, Fax: 614 889-0540
www.kineticsnoise.com

By: BB
Date: 10/29/10
Revised: 11/10/11/DCB

Drawing No:
S-88.071-2A
METRIC