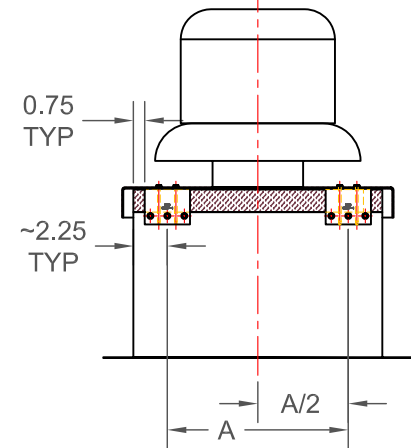
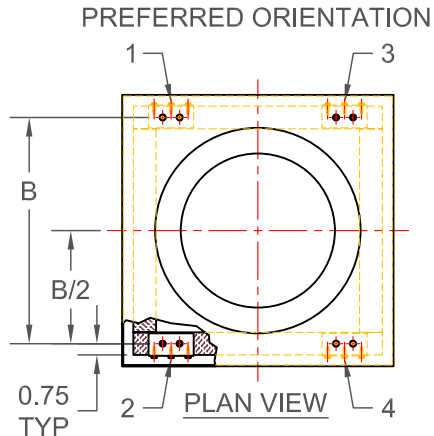


KSMF SEISMIC "MUSHROOM" FAN CLIP I-P UNITS (INCHES AND POUNDS)

TYPE	C	D	E	F	G	H	J	K	L	M	N
KSMF-1	3.00	1.50	2.38	1.13	0.37	0.56	0.75	0.94	1.12	#10-16 X 2.50	#10-16 X 0.63



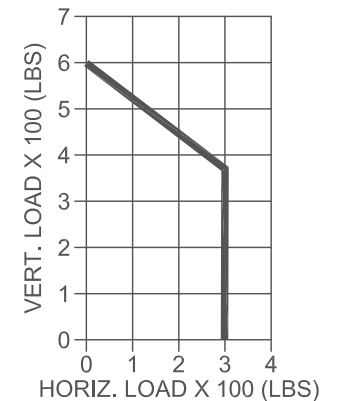
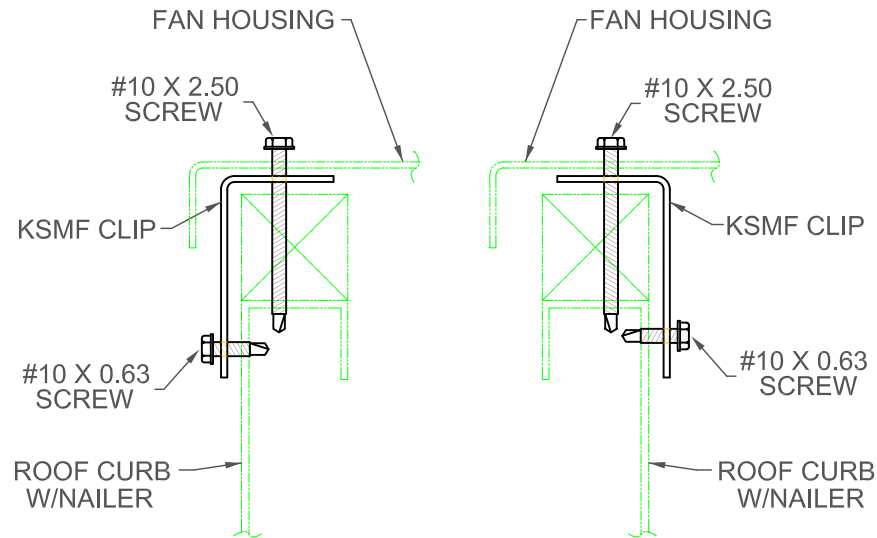
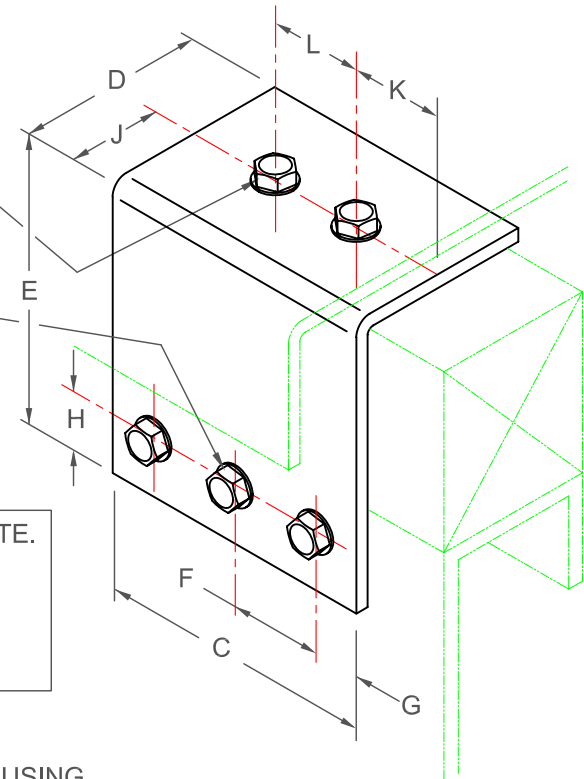
NOTE:
DIMENSIONS A & B ARE FROM KINETICS SEISMIC CERTIFICATON SHEET.

SPECIFICATIONS:
• FINISH: HOT DIPPED GALVANIZED

M (SELF DRILLING SHEET METAL SCREW (2))

N (SELF DRILLING SHEET METAL SCREW (3))

SCREW LOCATIONS ARE APPROXIMATE. PILOT HOLES MAY BE FIELD DRILLED USING A NO. 22 DRILL.
SCREW TO CURB USING #10 SELF-TAPPING SCREWS AS SHOWN.



KINETICS NOISE CONTROL, INC
6300 IRELAN PL,
DUBLIN, OH 43017 USA
Ph: 614 889-0480, Fax: 614 889-0540
www.kineticsnoise.com

Model:
KSMF

By: RSS
Date: 10/31/03
Revised: 08/26/04 / BB

Drawing No:
S-88.071-17A