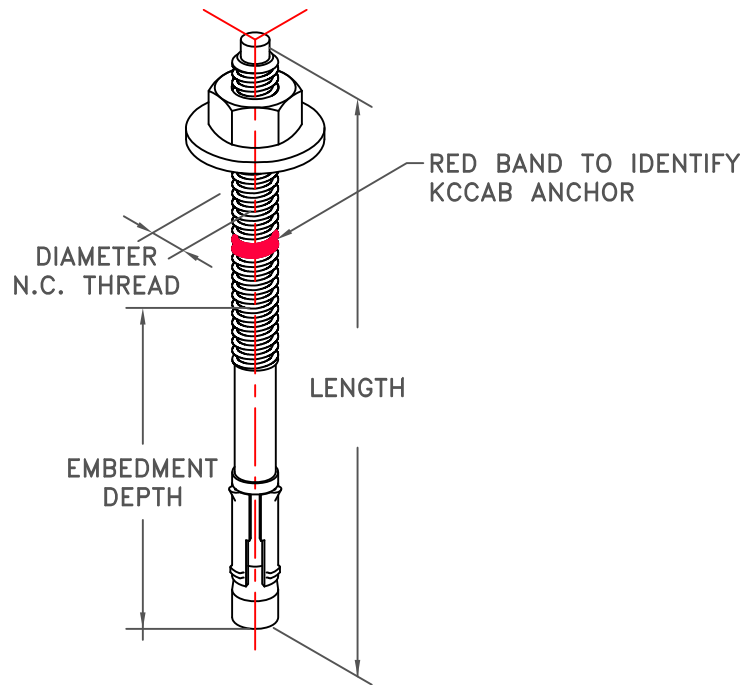


MODEL	ANCHOR BOLT					
	DIAMETER		LENGTH		TORQUE	
	(in)	(mm)	(in)	(mm)	(ft-lb)	(N-m)
KCCAB-38-375	0.38	10	3.75	95	25.00	34
KCCAB-38-500	0.38	10	5.00	127	25.00	34
KCCAB-50-550	0.50	13	5.50	140	40.00	54
KCCAB-50-700	0.50	13	7.00	178	40.00	54
KCCAB-63-850	0.63	16	8.50	216	60.00	81
KCCAB-75-800	0.75	19	8.00	203	110.00	149
KCCAB-75-1000	0.75	19	10.00	254	110.00	149

ANCHOR SIZE	MINIMUM						PILOT HOLE DEPTH	LOADING (ASD)						CRITICAL			
	CONCRETE THK.		EMBED. DEPTH		TENSILE			SHEAR		COMB.		EDGE DISTANCE		ANCHOR SPACING			
	(in)	(mm)	(in)	(mm)	(lb)	(kg)		(lb)	(kg)	(lb)	(kg)	(in)	(mm)	(in)	(mm)		
0.38	10	4.00	102	2.00	51	2.63	67	808	367	922	418	567	257	4.38	111	6.00	152
0.50	13	6.00	152	3.25	83	4.00	102	1750	794	2082	944	1251	567	7.50	191	9.75	248
0.63	16	6.00	152	4.00	102	4.75	121	2079	943	3430	1556	1675	760	9.00	229	12.00	305
0.75	19	8.00	203	4.75	121	5.75	146	3133	1421	5177	2348	2525	1145	11.75	298	14.25	362



ALL ANCHORS ARE BRIGHT ZINC PLATED.  
 ALL ANCHORS ARE SEISMICALLY RATED.  
 ICC-ES EVALUATION REPORT ESR-1917



TITLE MODEL KCCAB  
 CRACKED CONCRETE  
 ANCHOR BOLT

LAST DATE  
 REVISED  
 04/09/10

REVISED BY  
 BB

DRAWING NO. S-51  
 S-51.15-1A