

MODEL	DIA.		LENGTH		TORQUE*	
	(in)	(mm)	(in)	(mm)	(ft-lb)	(N-m)
KCAB-25-325	0.25	6	3.25	83	8.00	11
** KCAB-38-375	0.38	10	3.75	95	25.00	34
KCAB-38-500	0.38	10	5.00	127	25.00	34
KCAB-50-550	0.50	13	5.50	140	55.00	75
KCAB-50-700	0.50	13	7.00	178	55.00	75
** KCAB-63-500	0.63	16	5.00	127	90.00	122
** KCAB-63-600	0.63	16	6.00	152	90.00	122
KCAB-63-700	0.63	16	7.00	178	90.00	122
KCAB-63-850	0.63	16	8.50	216	90.00	122
** KCAB-75-700	0.75	19	7.00	178	175.00	237
KCAB-75-850	0.75	19	8.50	216	175.00	237
KCAB-75-1000	0.75	19	10.00	254	175.00	237
** KCAB-88-800	0.88	22	8.00	203	250.00	339
KCAB-88-1000	0.88	22	10.00	254	250.00	339
** KCAB-100-900	1.00	25	9.00	229	300.00	407
KCAB-100-1200	1.00	25	12.00	305	300.00	407

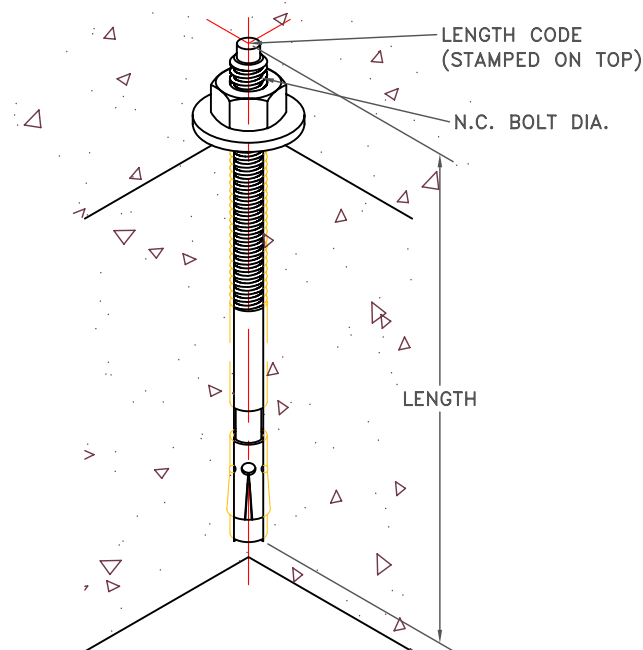
* Standard weight concrete.

** Not possible to achieve 8 diameter embedment depth and full rated capacity.

LENGTH CODE	LENGTH	
	(in)	(mm)
A	1.5 - 2.0	38 - 51
B	2.0 - 2.5	51 - 64
C	2.5 - 3.0	64 - 76
D	3.0 - 3.5	76 - 89
E	3.5 - 4.0	89 - 102
F	4.0 - 4.5	102 - 114
G	4.5 - 5.0	114 - 127
H	5.0 - 5.5	127 - 140
I	5.5 - 6.0	140 - 152
J	6.0 - 6.5	152 - 165
K	6.5 - 7.0	165 - 178
L	7.0 - 7.5	178 - 191
M	7.5 - 8.0	191 - 203
N	8.0 - 8.8	203 - 224
O	8.8 - 9.0	224 - 229
P	9.0 - 9.5	229 - 241
Q	9.5 - 10.0	241 - 254
R	10.0 - 11.0	254 - 279
S	11.0 - 12.0	279 - 305

ANCHOR SIZE		MIN. EMBED. DEPTH		ASD ALLOWABLE LOADS					
				TENSILE		SHEAR		COMB.	
(in)	(mm)	(in)	(mm)	(lb)	(kg)	(lb)	(kg)	(lb)	(kg)
1/4	6	2.0	51	280	127	400	181	215	98
3/8	10	3.0	76	588	267	1018	462	480	218
1/2	13	4.0	102	874	396	1769	802	743	337
5/8	16	5.0	127	1317	597	2640	1197	1118	507
3/4	19	6.0	152	1668	757	4225	1916	1528	693
7/8	22	7.0	178	2264	1027	6210	2817	2044	927
1	25	8.0	203	2535	1150	8328	3778	2346	1064
1	25	9.0	229	2730	1238	8328	3778	2503	1135
1 1/4	32	10.0	254	5105	2316	9918	4499	4301	1951

Non OSHPD Values listed above are for 3000 psi steel reinforced concrete and have not been inflated by a factor of 33 1/3% for seismic and wind applications.



ALL ANCHORS ARE ZINC PLATED STEEL.
ALL ANCHORS ARE SEISMICALLY RATED.