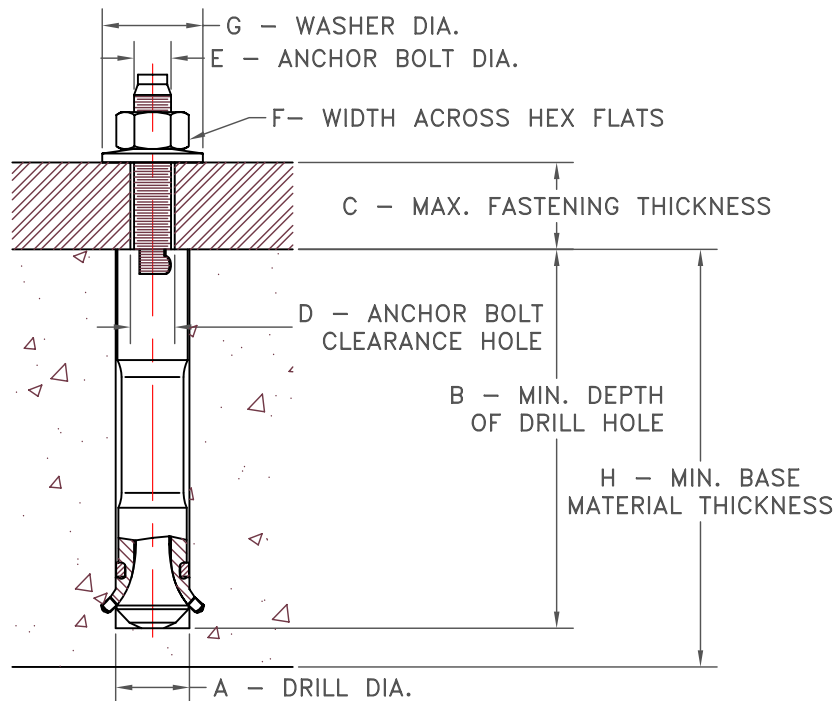


MODEL	ANCHOR DIMENSION																TIGHTENING TORQUE (MAX.)	
	A		B		C		D		E		F		G		H		(N*m)	(ft*lb)
	(mm)	(in)	(mm)	(in)	(mm)	(in)	(mm)	(in)	(mm)	(in)	(mm)	(in)	(mm)	(in)				
KUAB-01	20	0.79	107	4.21	20	0.79	12	0.47	10	0.39	17	0.67	27.5	1.08	140	5.51	50	37
KUAB-02	22	0.87	135	5.31	30	1.18	14	0.55	12	0.47	19	0.75	33.5	1.32	170	6.69	80	59
KUAB-03	30	1.18	203	7.99	40	1.57	18	0.71	16	0.63	24	0.94	45.5	1.79	250	9.84	120	89

ANCHOR SIZE		EMBEDMENT DEPTH		ASD ALLOWABLE LOADS					
(mm)	(in)	(mm)	(in)	TENSILE		SHEAR		COMB.	
(mm)	(in)	(mm)	(in)	(kg)	(lb)	(kg)	(lb)	(kg)	(lb)
10	0.39	100	4.0	599	1320	739	1630	435	959
12	0.47	125	5.0	904	1994	1079	2378	647	1427
16	0.63	190	7.0	1623	3578	1920	4233	1158	2553

Non-OSHPD values listed above are for 2500 psi or greater steel reinforced concrete and have not been inflated by a factor of 33 1/3% for seismic and wind applications.



ALL ANCHORS ARE ZINC PLATED STEEL.
ALL ANCHORS ARE SEISMICALLY RATED.



TITLE
MODEL KUAB UNDERCUT
CONCRETE ANCHOR

LAST DATE
REVISED
01/30/06

REVISED BY
BB

DRAWING NO.
S-51.14-1A