

HS-5 SEISMIC RESTRAINT SI UNITS (mm & kg)

MODEL	DIMENSION												
	A	B	C	D	E	F	G	H	J	K	L	M	N
HS-5-01	152	152	152	10	25	102	38	76	76	13	76	13	64
HS-5-02	178	152	152	10	25	127	38	76	89	13	76	19	89
HS-5-03	229	152	152	13	25	178	44	76	114	13	89	22	102
HS-5-04	292	152	152	13	25	241	51	76	146	13	102	32	121
HS-5-05	381	203	152	13	38	305	51	76	191	13	108	32	152
HS-5-05A	381	203	152	13	38	305	51	76	191	13	108	32	229

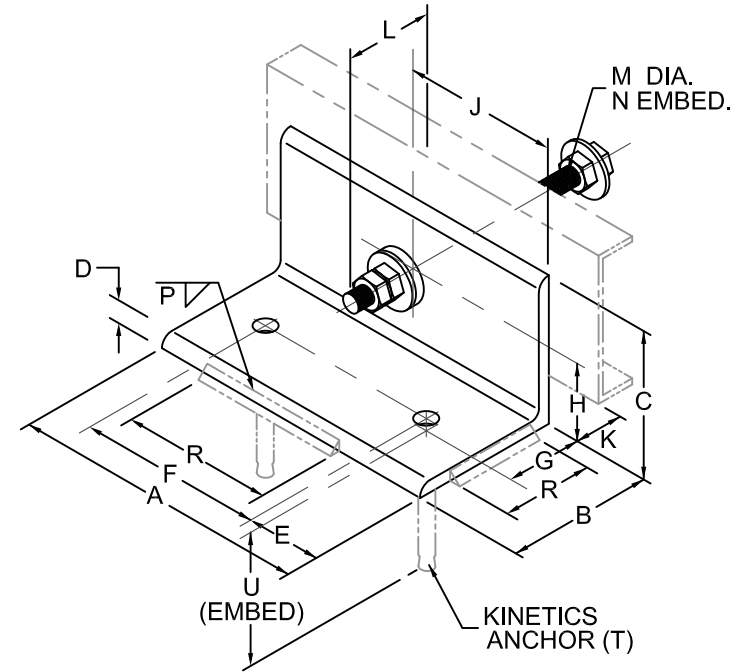
OPTIONAL WELD

MODEL	DIMENSION	
	P	R
HS-5-01	3	51
HS-5-02	3	51
HS-5-03	6	70
HS-5-04	6	127
HS-5-05	6	127
HS-5-05A	6	152

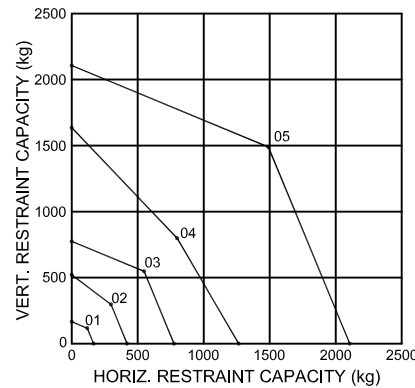
OPTIONAL ANCHOR

MODEL	KCAB		KCCAB	
	DIMENSION		DIMENSION	
	T	U (MIN.)	T	U (MIN.)
HS-5-01	10	76	10	51
HS-5-02	13	102	13	83
HS-5-03	16	127	16	102
HS-5-04	22	152	19	121
*HS-5-05	25	203	19	121
HS-5-05A	25	229		

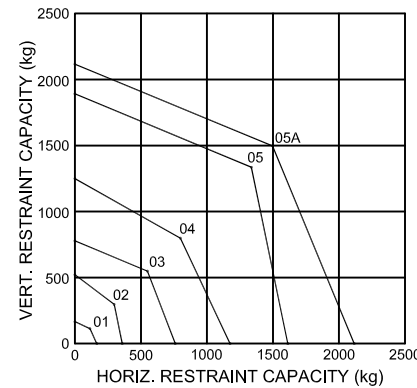
* REQUIRES KINETICS MODEL TG-75 BOLT ISOLATION GROMMET FOR USE WITH KCCAB ANCHOR.



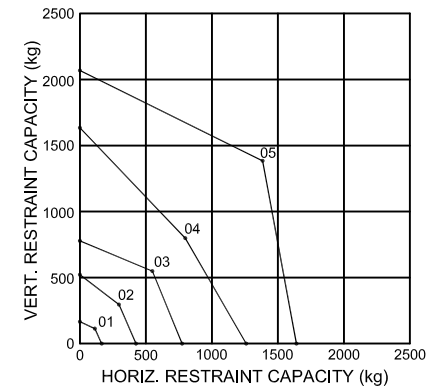
BOLTED OR WELDED TO STEEL



ATTACHED TO CONCRETE WITH KCAB ANCHOR



ATTACHED TO CONCRETE WITH KCCAB ANCHOR



SPECIFICATIONS:

- FINISH: HOT DIPPED GALVANIZED.
- OPERATING CLEARANCE IS APPROXIMATELY 6.4 mm IN ALL DIRECTIONS.
- CAPACITIES LISTED ARE BASED ON EQUAL, SIMULTANEOUSLY APPLIED, VERTICAL AND HORIZONTAL LOADS.
- HORIZONTAL LOADS CAN BE APPLIED ON EITHER AXIS.
- CAPACITIES FOR INDIVIDUALLY APPLIED LOADS ARE HIGHER, CONSULT KINETICS FOR DETAILS.
- CAPACITIES ASSUME THE USE OF THE INDICATED ANCHORS EMBEDDED AT THEIR APPROVED EMBEDMENT DEPTH IN 211 kg/cm² CONCRETE (NO SPECIAL INSPECTION IS REQUIRED).

COMPUTED HORIZONTAL AND VERTICAL SEISMIC LOAD COMBINATIONS MUST FALL WITHIN THE RESTRAINT CAPACITY ENVELOPE.



KINETICS NOISE CONTROL, INC
6300 IRELAN PL,
DUBLIN, OH 43017 USA
Ph: 614 889-0480, Fax: 614 889-0540
www.kineticsnoise.com

Model:
**HS-5
RESTRAINT**

By: **BB**
Date: **09/15/10**
Revised: **/**

Drawing No:
**S-04.80-1A
METRIC**