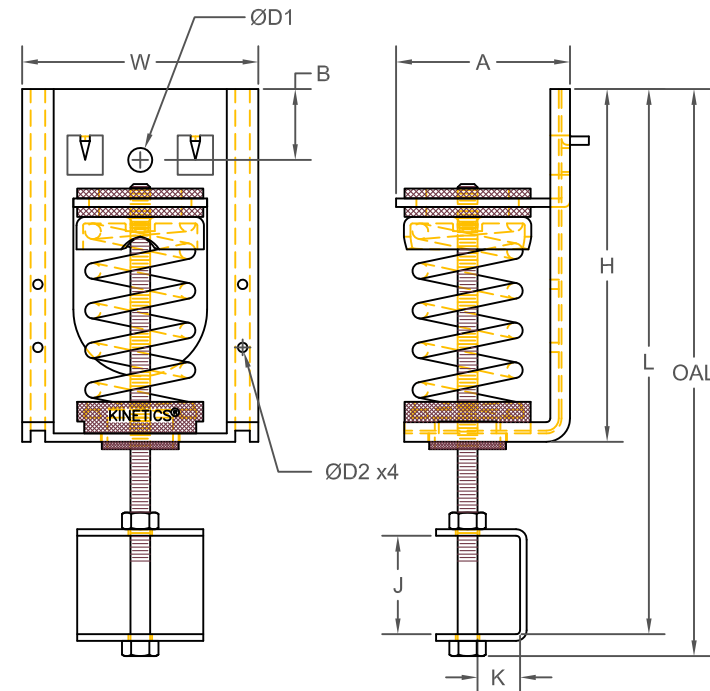
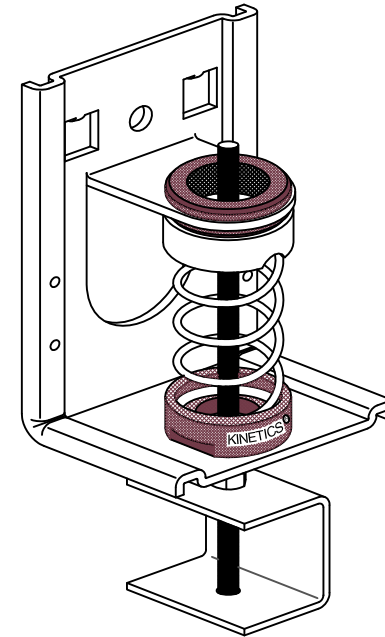


ICW 25mm DEFLECTION ISOLATION HANGERS

SI UNITS (mm AND kg)

TYPE	A	B	D1	D2	H	K	L	OAL	W
24/210	67	29	10	4	142	17	220	229	95

STANDARD RATING				SPRING COIL		
TYPE	SIZE	LOAD	DEFL.	COLOR	FREE HT.	O.D.
ICW	24	11	27	BLUE	81	44
ICW	37	17	25	WHITE	81	44
ICW	50	23	25	GREEN	81	44
ICW	75	34	25	BLACK	81	44
ICW	100	45	25	GRAY	81	44
ICW	150	68	25	RED	81	44
ICW	210	95	26	BROWN	81	44



SPECIFICATIONS:

- SPRING ELEMENTS ARE POWDER COATED.
- ISOLATOR BRACKETS ARE ELECTRO GALVANIZED.
- ALL HARDWARE IS BRIGHT ZINC PLATED.
- ISOLATION HANGERS HAVE A TYPICAL OVERLOAD OF 50%.
- ISOLATION HANGERS HAVE A MINIMUM Kx/Ky RATIO OF 1.0.
- SPRING ELEMENTS ARE SAFE AT SOLID LOADING.
- HANGER BRACKETS WILL CARRY (5) TIMES OVERLOAD WITHOUT FAILURE.
- HANGER BRACKETS WILL ALLOW 30° ROD MISALIGNMENT WITHOUT SHORT CIRCUITING.
- ISOLATION HANGERS HAVE A NEOPRENE BOTTOM SPRING CUP.



KINETICS NOISE CONTROL, INC
6300 IRELAN PL,
DUBLIN, OH 43017 USA
Ph: 614 889-0480, Fax: 614 889-0540
www.kineticsnoise.com

Model:
ICW-
24/210

By: BB
Date: 02/05/10
Revised: 01/12/11 /BB

Drawing No:
S-03.50-11
METRIC