

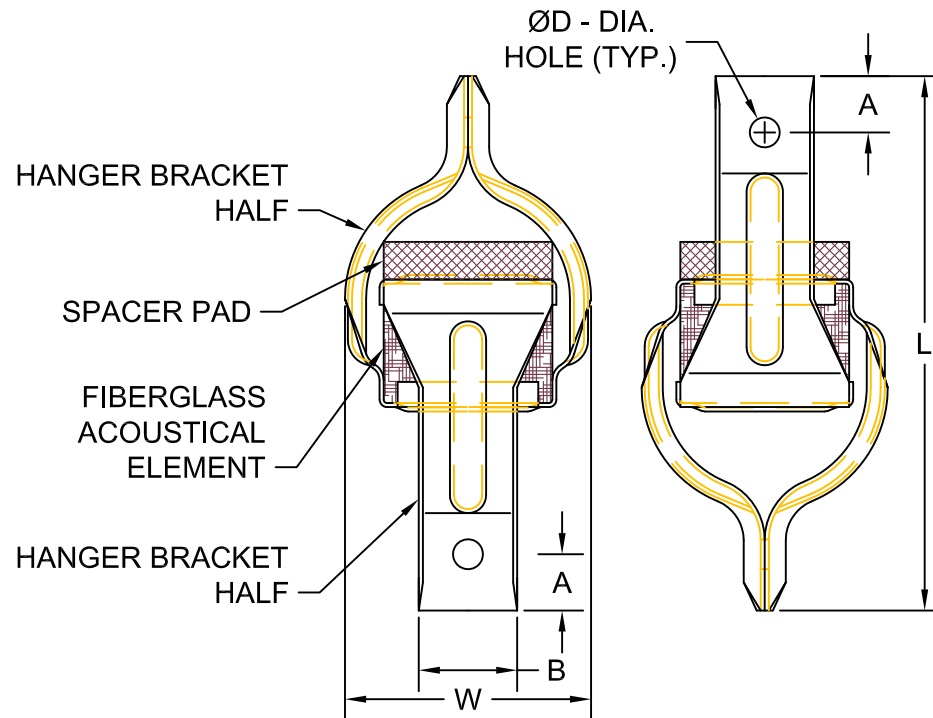
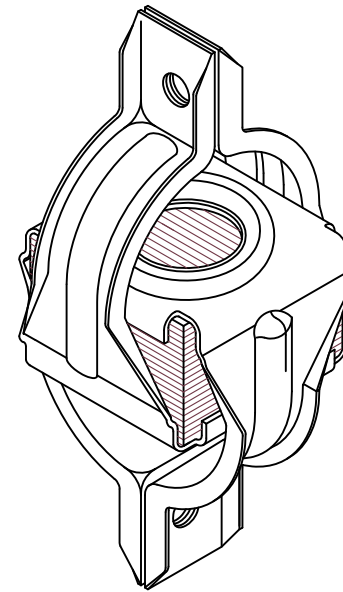
# AF HANGER

IP UNITS (INCHES & POUNDS)

TYPE	L	W	A	B	D
AF-50/200	4.75	2.19	0.50	0.88	0.27

## STANDARD RATINGS

TYPE	SIZE	ISOLATOR	
		LOAD	DEFL.
AF	50	50	0.36
AF	100	100	0.28
AF	200	200	0.19



### SPECIFICATIONS:

- HANGER BRACKETS ARE BRIGHT ZINC PLATED.
- ISOLATION HANGERS HAVE A TYPICAL OVERLOAD OF 50%.
- HANGER BRACKETS WILL CARRY (5) TIMES OVERLOAD WITHOUT FAILURE.
- HANGER BRACKETS WILL ACCOMODATE UP TO #9 SUSPENSION WIRE OR A 1/4" BOLT OR SCREW.



KINETICS NOISE CONTROL, INC  
 6300 IRELAN PL,  
 DUBLIN, OH 43017 USA  
 Ph: 614 889-0480, Fax: 614 889-0540  
 www.kineticsnoise.com

Model:  
**AF  
 50/200**

By: **BB**  
 Date: **12/07/05**  
 Revised: **01/12/11 / BB**

Drawing No:  
**S-03.40-11**