

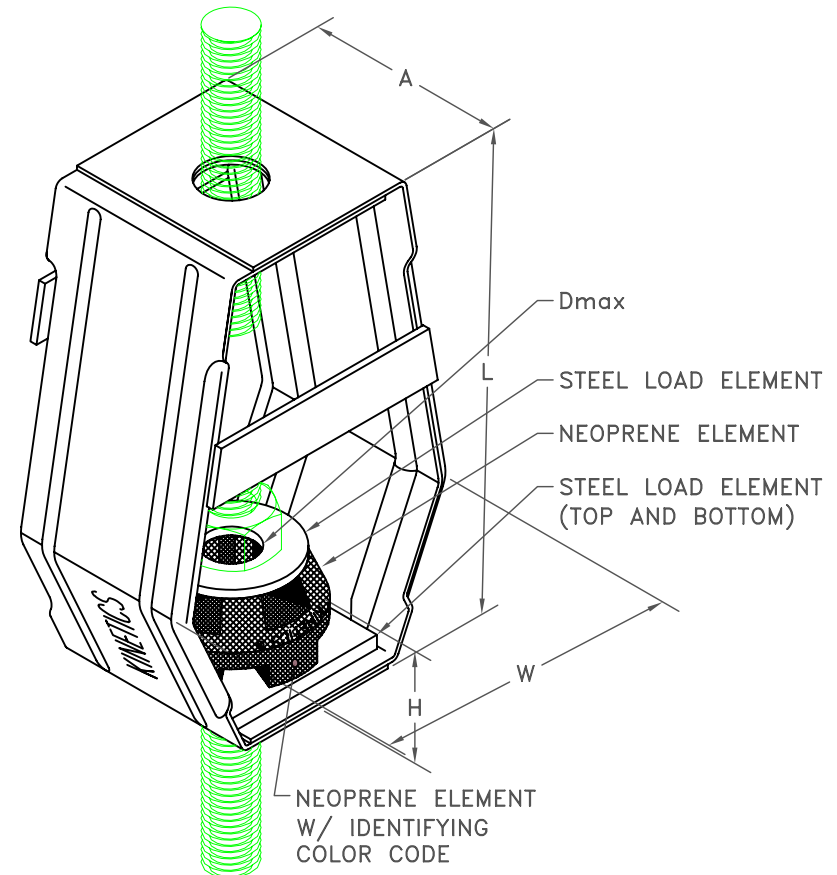
RH-C HANGER

S-I UNITS (mm AND kg)

TYPE	L	W	A	Dmax	H
RH-700C/2000C	218	142	92	22	51

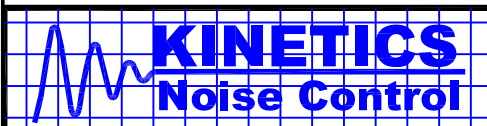
STANDARD RATINGS

TYPE	SIZE	RATED		ISOLATOR
		LOAD	DEFL.	COLOR
RH	700C	318	14	PURPLE
RH	1100C	499	12	YELLOW
RH	2000C	907	13	PINK



SPECIFICATIONS:

- HANGER BRACKETS AND LOAD PLATES ARE BRIGHT ZINC PLATED.
- RATED LOADS ARE MAXIMUM CONTINUOUS OPERATING LOADS.
- HANGER BRACKETS WILL CARRY (5) TIMES OVERLOAD WITHOUT FAILURE.
- HANGER BRACKETS WILL ALLOW 30° ROD MISALIGNMENT WITHOUT SHORT CIRCUITING.



KINETICS NOISE CONTROL, INC
 6300 IRELAN PL,
 DUBLIN, OH 43017 USA
 Ph: 614 889-0480, Fax: 614 889-0540
 www.kineticsnoise.com

Model:
 RH
 700C/2000C

By: BB
 Date: 12/07/05
 Revised: /

Drawing No:
 S-03.39-14
 METRIC