

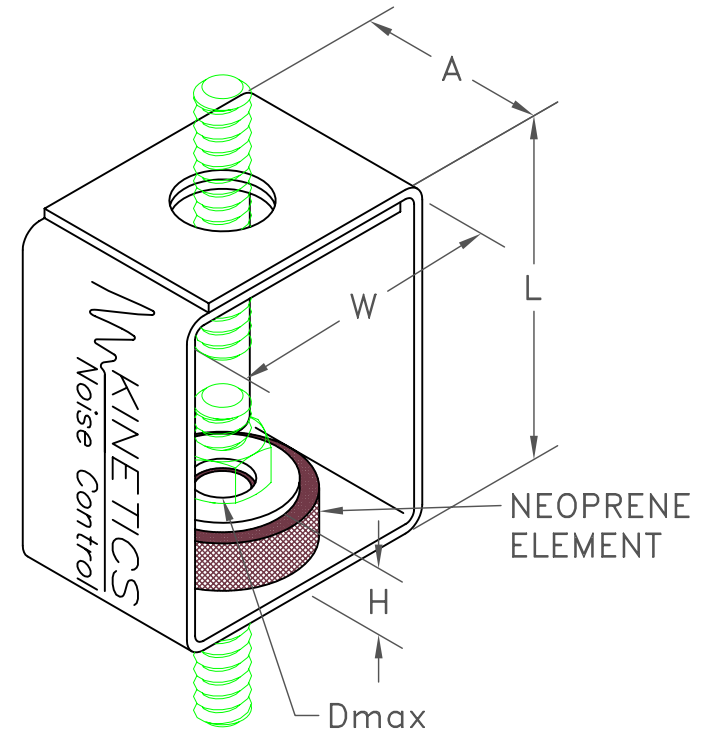
# RH-A HANGER

S-I UNITS (mm AND kg)

TYPE	L	W	A	Dmax	H
RH-75A/125A	69	55	38	10	11

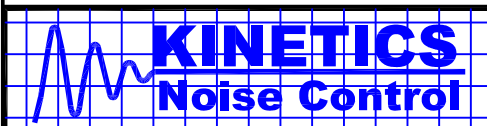
## STANDARD RATINGS

TYPE	SIZE	RATED	
		LOAD	DEFL.
RH	75A	34	2
RH	125A	57	1



### SPECIFICATIONS:

- HANGER BRACKETS ARE BRIGHT ZINC PLATED.
- RATED LOADS ARE MAXIMUM CONTINUOUS OPERATING LOADS.
- HANGER BRACKETS WILL CARRY (5) TIMES OVERLOAD WITHOUT FAILURE.
- HANGER BRACKETS WILL ALLOW 30° ROD MISALIGNMENT WITHOUT SHORT CIRCUITING.



KINETICS NOISE CONTROL, INC  
 6300 IRELAN PL.  
 DUBLIN, OH 43017 USA  
 Ph: 614 889-0480, Fax: 614 889-0540  
 www.kineticsnoise.com

Model:  
 RH  
 75A/125A

By: BB  
 Date: 12/07/05  
 Revised: /

Drawing No:  
 S-03.39-11  
 METRIC