

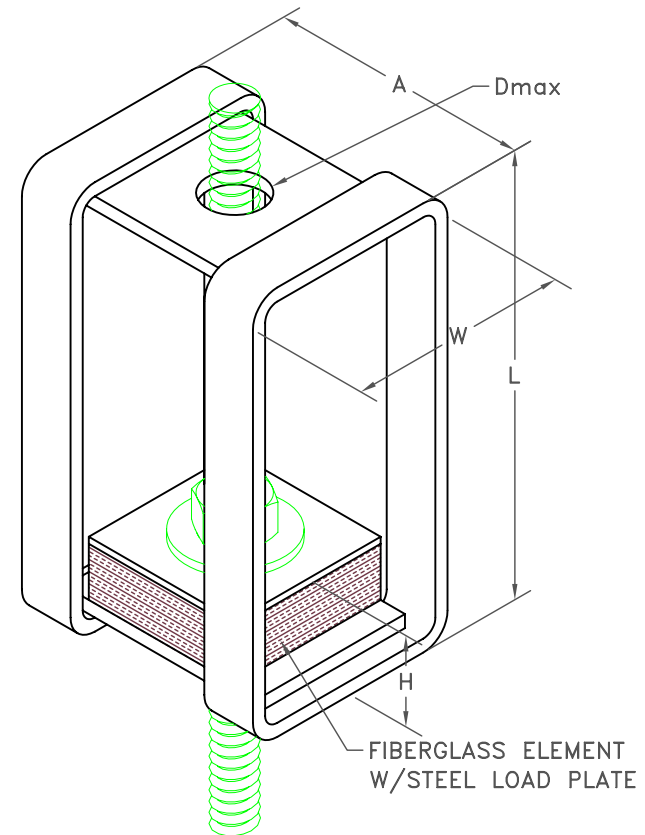
FH-C HANGER

IP UNITS (INCHES AND POUNDS)

TYPE	L	W	A	Dmax	H
FH-900C	8.00	4.00	4.75	0.75	1.63

STANDARD RATINGS

TYPE	SIZE	RATED	
		LOAD	DEFL.
FH	900C	900	0.27



SPECIFICATIONS:

- HANGER BRACKETS AND LOAD PLATES ARE BRIGHT ZINC PLATED.
- ISOLATION HANGERS HAVE A TYPICAL OVERLOAD OF 50%.
- HANGER BRACKETS WILL CARRY (5) TIMES OVERLOAD WITHOUT FAILURE.
- HANGER BRACKETS WILL ALLOW 30° ROD MISALIGNMENT WITHOUT SHORT CIRCUITING.



KINETICS NOISE CONTROL, INC
 6300 IRELAN PL,
 DUBLIN, OH 43017 USA
 Ph: 614 889-0480, Fax: 614 889-0540
 www.kineticsnoise.com

Model:
**FH
 900C**

By: **BB**
 Date: **12/07/05**
 Revised: **/**

Drawing No:
S-03.38-12