

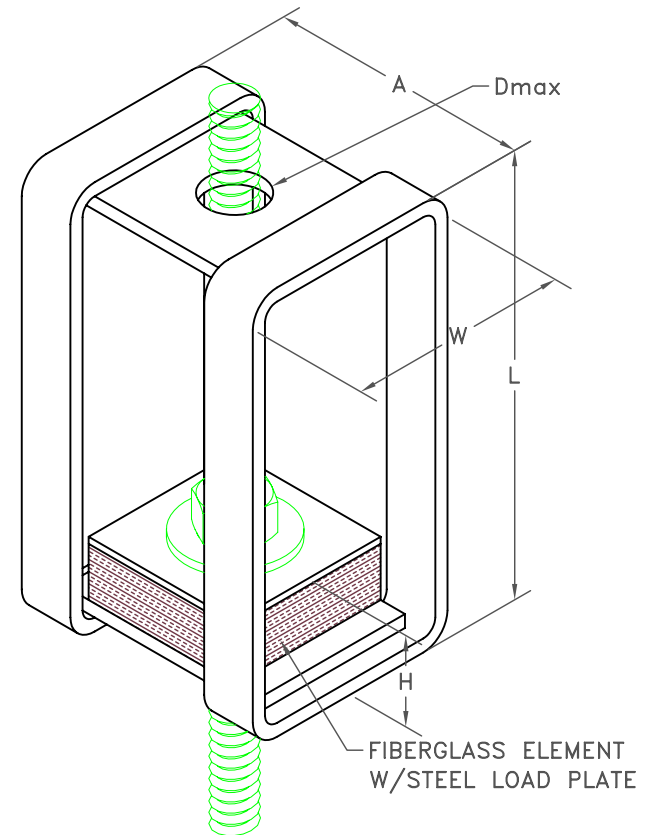
FH-C HANGER

S-I UNITS (mm AND kg)

TYPE	L	W	A	Dmax	H
FH-900C	203	102	121	19	41

STANDARD RATINGS

TYPE	SIZE	RATED	
		LOAD	DEFL.
FH	900C	408	7



SPECIFICATIONS:

- HANGER BRACKETS AND LOAD PLATES ARE BRIGHT ZINC PLATED.
- ISOLATION HANGERS HAVE A TYPICAL OVERLOAD OF 50%.
- HANGER BRACKETS WILL CARRY (5) TIMES OVERLOAD WITHOUT FAILURE.
- HANGER BRACKETS WILL ALLOW 30° ROD MISALIGNMENT WITHOUT SHORT CIRCUITING.



KINETICS NOISE CONTROL, INC
6300 IRELAN PL,
DUBLIN, OH 43017 USA
Ph: 614 889-0480, Fax: 614 889-0540
www.kineticsnoise.com

Model:
**FH
900C**

By: **BB**
Date: **12/07/05**
Revised: **/**

Drawing No:
**S-03.38-12
METRIC**