

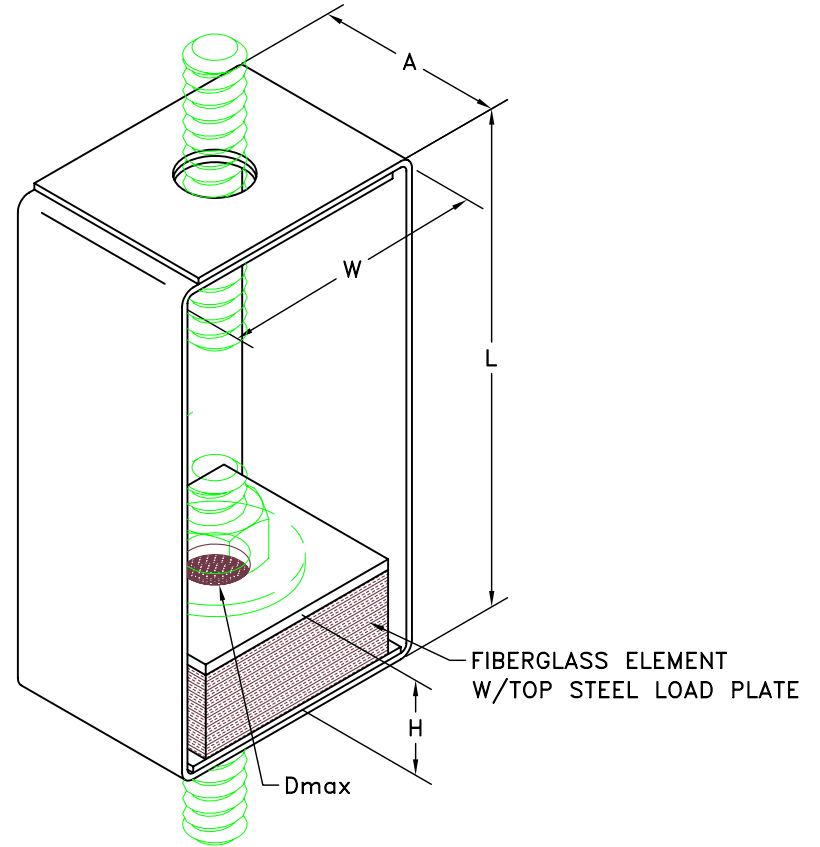
# FH-A HANGER

IP UNITS (INCHES AND POUNDS)

TYPE	L	W	A	Dmax	H
FH-250A/500A	5.91	3.15	2.25	0.63	1.13

## STANDARD RATINGS

TYPE	SIZE	RATED	
		LOAD	DEFL.
FH	250A	250	0.27
FH	500A	500	0.18



### SPECIFICATIONS:

- HANGER BRACKETS AND LOAD PLATES ARE BRIGHT ZINC PLATED.
- ISOLATION HANGERS HAVE A TYPICAL OVERLOAD OF 50%.
- HANGER BRACKETS WILL CARRY (5) TIMES OVERLOAD WITHOUT FAILURE.
- HANGER BRACKETS WILL ALLOW 30° ROD MISALIGNMENT WITHOUT SHORT CIRCUITING.



KINETICS NOISE CONTROL, INC  
 6300 IRELAN PL.  
 DUBLIN, OH 43017 USA  
 Ph: 614 889-0480, Fax: 614 889-0540  
 www.kineticsnoise.com

Model:  
 FH  
 250A/500A

By: BB  
 Date: 12/07/05  
 Revised: /

Drawing No:  
 S-03.38-11