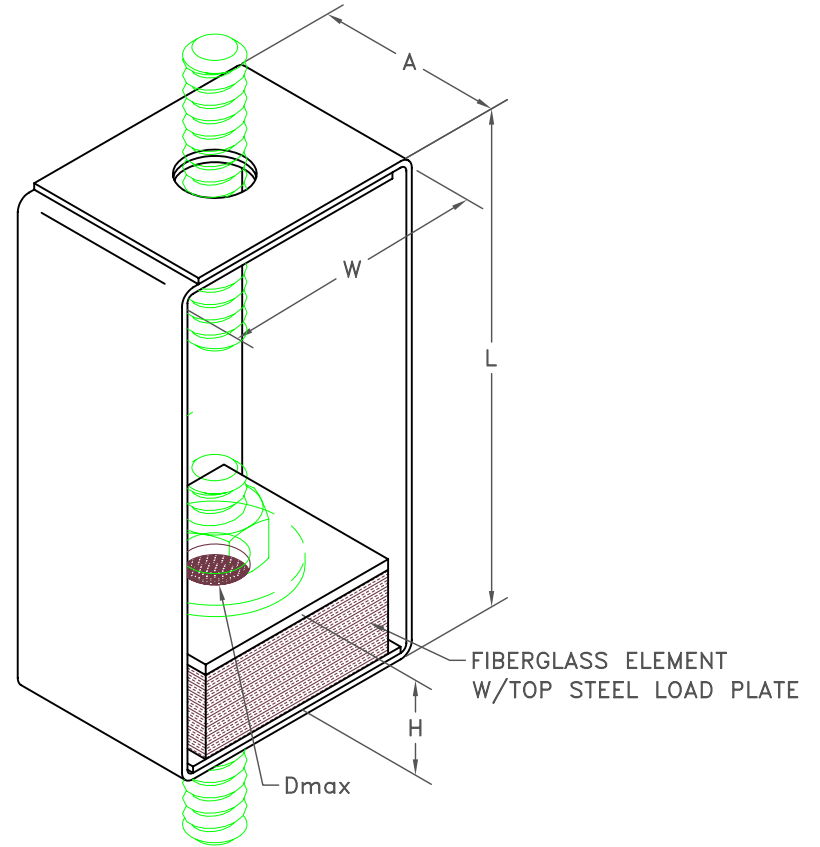


FH-A HANGER
S-I UNITS (mm AND kg)

TYPE	L	W	A	Dmax	H
FH-250A/500A	150	80	57	16	29

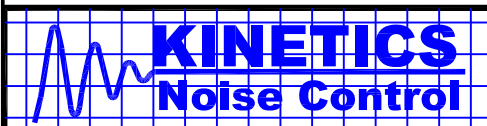
STANDARD RATINGS

TYPE	SIZE	RATED	
		LOAD	DEFL.
FH	250A	113	7
FH	500A	227	5



SPECIFICATIONS:

- HANGER BRACKETS AND LOAD PLATES ARE BRIGHT ZINC PLATED.
- ISOLATION HANGERS HAVE A TYPICAL OVERLOAD OF 50%.
- HANGER BRACKETS WILL CARRY (5) TIMES OVERLOAD WITHOUT FAILURE.
- HANGER BRACKETS WILL ALLOW 30° ROD MISALIGNMENT WITHOUT SHORT CIRCUITING.



KINETICS NOISE CONTROL, INC
6300 IRELAN PL,
DUBLIN, OH 43017 USA
Ph: 614 889-0480, Fax: 614 889-0540
www.kineticsnoise.com

Model:
FH
250A/500A

By: BB
Date: 12/07/05
Revised: /

Drawing No:
S-03.38-11
METRIC