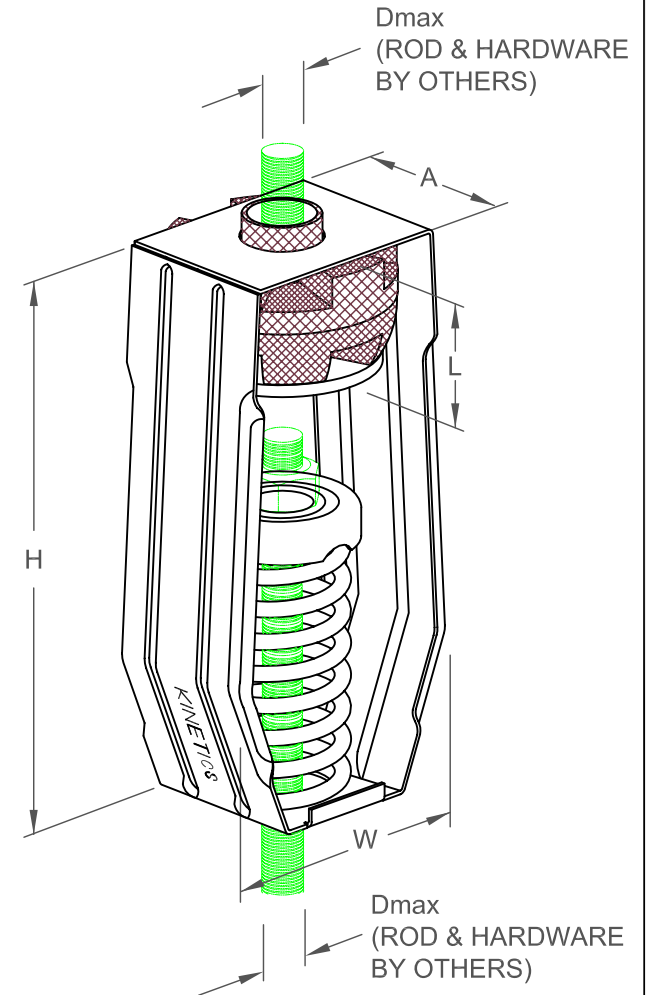


SRH 2" DEFLECTION ISOLATION HANGERS

IP UNITS (INCHES AND POUNDS)

TYPE	L	H	W	A	Dmax
2-35/220	1.72	7.38	3.69	2.25	0.50

STANDARD RATINGS				SPRING COIL			INSERT
TYPE	SIZE	LOAD	DEFL.	COLOR	HT.	O.D.	COLOR
SRH	2-35	35	2.09	BLUE	4.13	1.75	BLACK
SRH	2-70	70	2.19	GREEN	4.13	1.75	BLACK
SRH	2-120	120	2.32	GRAY	4.13	1.75	BLACK
SRH	2-220	220	2.29	BROWN	4.13	1.75	GREEN



SPECIFICATIONS:

- SPRING ELEMENTS AND BRACKETS ARE POWDER COATED
- LOAD PLATES ARE BRIGHT ZINC PLATED
- ISOLATION HANGERS HAVE A MINIMUM K_x/K_y RATIO OF 1.1
- SPRING ELEMENTS ARE SAFE AT SOLID LOADING
- HANGER BRACKETS WILL CARRY (5) TIMES OVERLOAD WITHOUT FAILURE
- HANGER BRACKETS WILL ALLOW 30° ROD MISALIGNMENT WITHOUT SHORT CIRCUITING
- "NO SHORT" STEP CAP



KINETICS NOISE CONTROL, INC
 6300 IRELAN PL,
 DUBLIN, OH 43017 USA
 Ph: 614 889-0480, Fax: 614 889-0540
www.kineticsnoise.com

Model:
SRH
2-35/220

By: **JMJ**
 Date: **02/26/03**
 Revised: **/**

Drawing No:
S-03.37-21