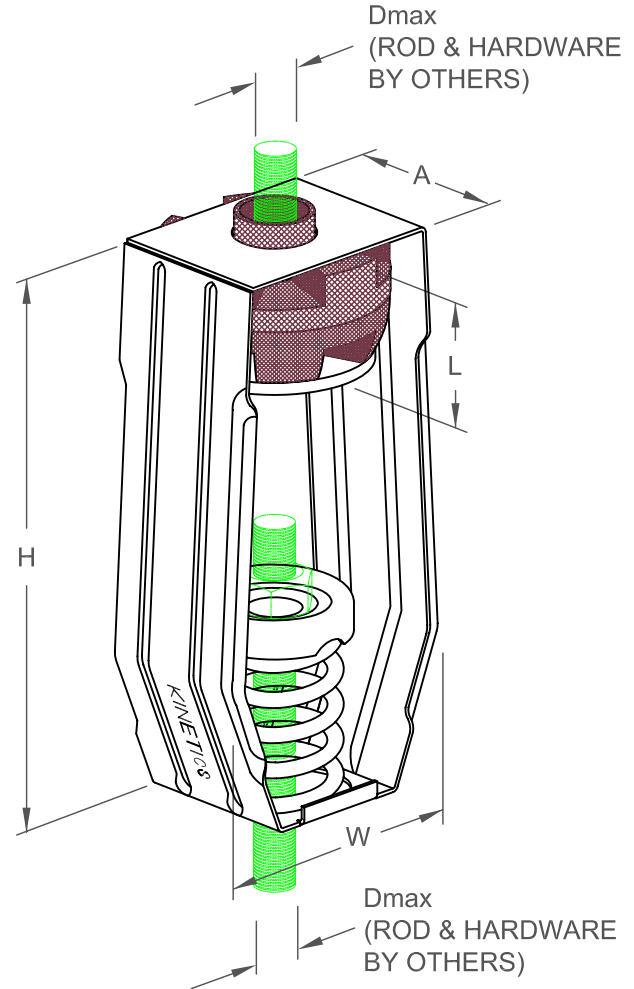


SRH 25 mm DEFLECTION ISOLATION HANGERS

S-I UNITS (mm AND kg)

TYPE	L	H	W	A	Dmax
1-35/370	44	187	94	57	16
1-500/805	48	187	94	57	16

STANDARD RATINGS				SPRING COIL				INSERT COLOR
TYPE	SIZE	LOAD	DEFL.	COLOR		FREE HT.	O.D.	
				OUTER	INNER			
SRH	1-35	16	41	BLUE		81	44	BLACK
SRH	1-70	32	39	GREEN		81	44	BLACK
SRH	1-125	57	40	GRAY		81	44	BLACK
SRH	1-245	111	39	BROWN		81	44	GREEN
SRH	1-370	168	33	ORANGE		81	44	WHITE
SRH	1-500	227	37	BEIGE		81	44	WHITE
SRH	1-600	272	34	CHROME		81	44	PURPLE
* SRH	1-700	318	36	BEIGE	WHITE	81	44	PURPLE
* SRH	1-805	365	32	CHROME	WHITE	81	44	YELLOW



SPECIFICATIONS:

- SPRING ELEMENTS AND BRACKETS ARE POWDER COATED
- LOAD PLATES ARE BRIGHT ZINC PLATED
- ISOLATION HANGERS HAVE A TYPICAL OVERLOAD OF 50%
- ISOLATION HANGERS HAVE A MINIMUM K_x/K_y RATIO OF 1.0
- SPRING ELEMENTS ARE SAFE AT SOLID LOADING
- HANGER BRACKETS WILL CARRY (5) TIMES OVERLOAD WITHOUT FAILURE
- HANGER BRACKETS WILL ALLOW 30° ROD MISALIGNMENT WITHOUT SHORT CIRCUITING, EXCEPT AS NOTED (*)
- ISOLATION HANGERS MARKED (*) HAVE A NEOPRENE BOTTOM SPRING CAP WITH GROMMET
- "NO SHORT" STEP CAP



KINETICS NOISE CONTROL, INC
6300 IRELAN PL,
DUBLIN, OH 43017 USA
Ph: 614 889-0480, Fax: 614 889-0540
www.kineticsnoise.com

Model:
SRH
1-35/805

By: **JMJ**
Date: **02/25/03**
Revised: **/**

Drawing No:
S-03.37-11(M)