

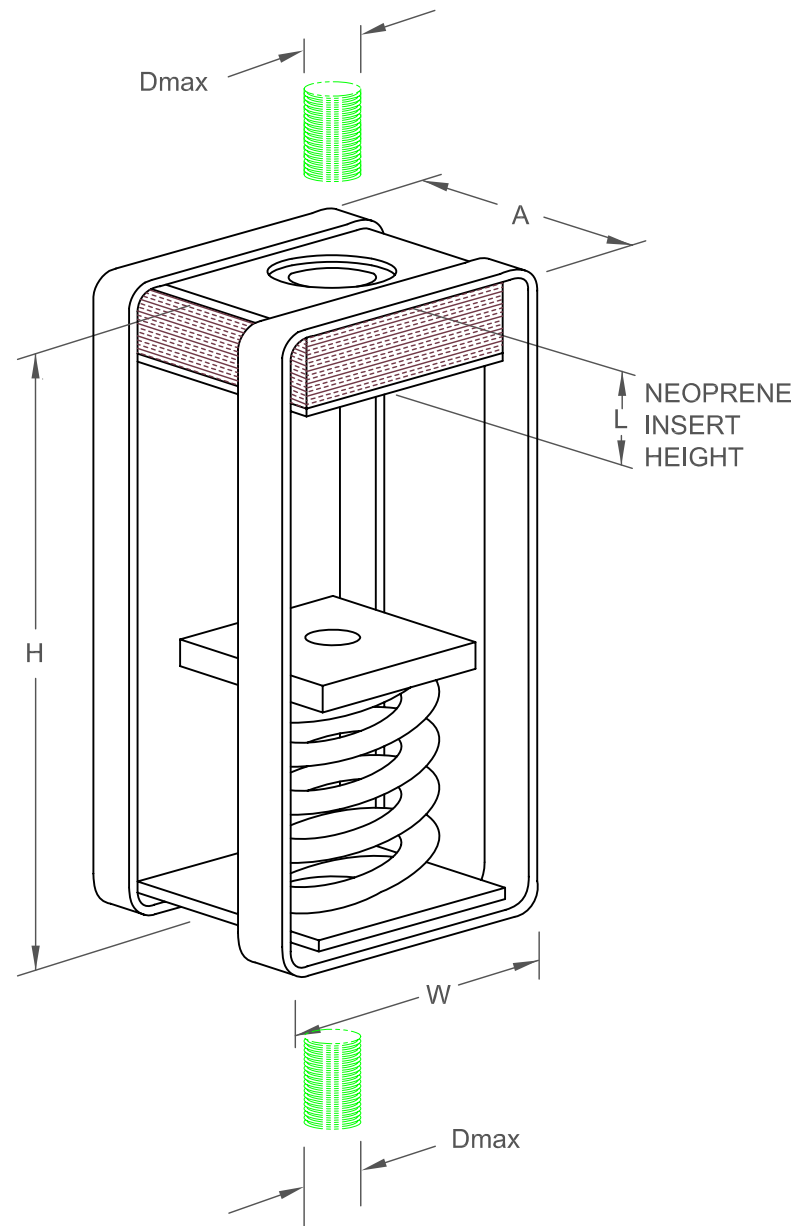
# SFH 2" DEFLECTION ISOLATION HANGER

TYPE	L	H	W	A	Dmax
2-2750/3250	1.25	12.00	6.00	6.00	1.00

I-P UNITS (INCHES AND POUNDS)

## STANDARD RATINGS

TYPE	SIZE	COIL	COIL FREE HT	O.D.	RATED LOAD
SFH	2-2750	BLU/BLU	7.00	5.00	2750
SFH	2-3025	BLU/GRN	7.00	5.00	3025
SFH	2-3250	BLU/BLK	7.00	5.00	3250



## SPECIFICATIONS:

- SPRING ELEMENTS AND BRACKETS ARE POWDER COATED
- LOAD PLATES ARE BRIGHT ZINC PLATED
- ISOLATION HANGERS HAVE A TYPICAL OVERLOAD OF 50%
- ISOLATION HANGERS HAVE A MINIMUM  $K_x/K_y$  RATIO OF 1.0
- SPRING ELEMENTS ARE SAFE AT SOLID LOADING
- HANGER BRACKETS WILL CARRY (5) TIMES OVERLOAD WITHOUT FAILURE
- HANGER BRACKETS WILL ALLOW 30° ROD MISALIGNMENT WITHOUT SHORT CIRCUITING



KINETICS NOISE CONTROL, INC  
 6300 IRELAN PL,  
 DUBLIN, OH 43017 USA  
 Ph: 614 889-0480, Fax: 614 889-0540  
 www.kineticsnoise.com

Model:  
**SFH**  
**2-2750/3250**

By: **JMJ**  
 Date: **10/28/03**  
 Revised: **08/23/04 / BB**

Drawing No:  
**S-03.35-24**