

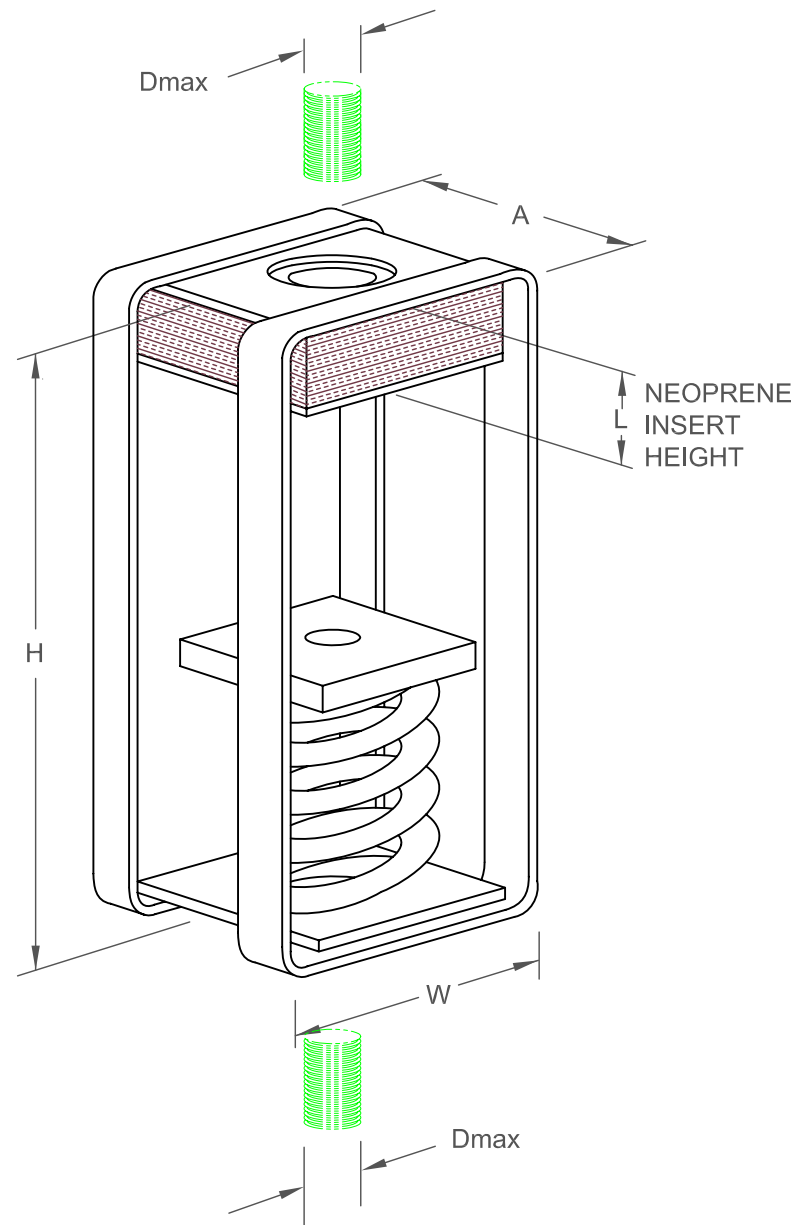
SFH 51mm DEFLECTION ISOLATION HANGER

| TYPE | L | H | W | A | Dmax |
|-------------|----|-----|-----|-----|------|
| 2-2000/2500 | 32 | 305 | 152 | 152 | 25 |

S-I UNITS (MM AND KG)

STANDARD RATINGS

| TYPE | SIZE | COIL | COIL FREE HT | O.D. | RATED LOAD |
|------|--------|--------|--------------|------|------------|
| SFH | 2-2000 | ORANGE | 178 | 127 | 909 |
| SFH | 2-2500 | BLUE | 178 | 127 | 1136 |



SPECIFICATIONS:

- SPRING ELEMENTS AND BRACKETS ARE POWDER COATED
- LOAD PLATES ARE BRIGHT ZINC PLATED
- ISOLATION HANGERS HAVE A TYPICAL OVERLOAD OF 50%
- ISOLATION HANGERS HAVE A MINIMUM K_x/K_y RATIO OF 1.0
- SPRING ELEMENTS ARE SAFE AT SOLID LOADING
- HANGER BRACKETS WILL CARRY (5) TIMES OVERLOAD WITHOUT FAILURE
- HANGER BRACKETS WILL ALLOW 30° ROD MISALIGNMENT WITHOUT SHORT CIRCUITING



KINETICS NOISE CONTROL, INC
 6300 IRELAN PL,
 DUBLIN, OH 43017 USA
 Ph: 614 889-0480, Fax: 614 889-0540
www.kineticsnoise.com

Model:
SFH
2-2000/2500

By: **JMJ**
 Date: **10/28/03**
 Revised: **08/23/04 / BB**

Drawing No:
S-03.35-23(M)