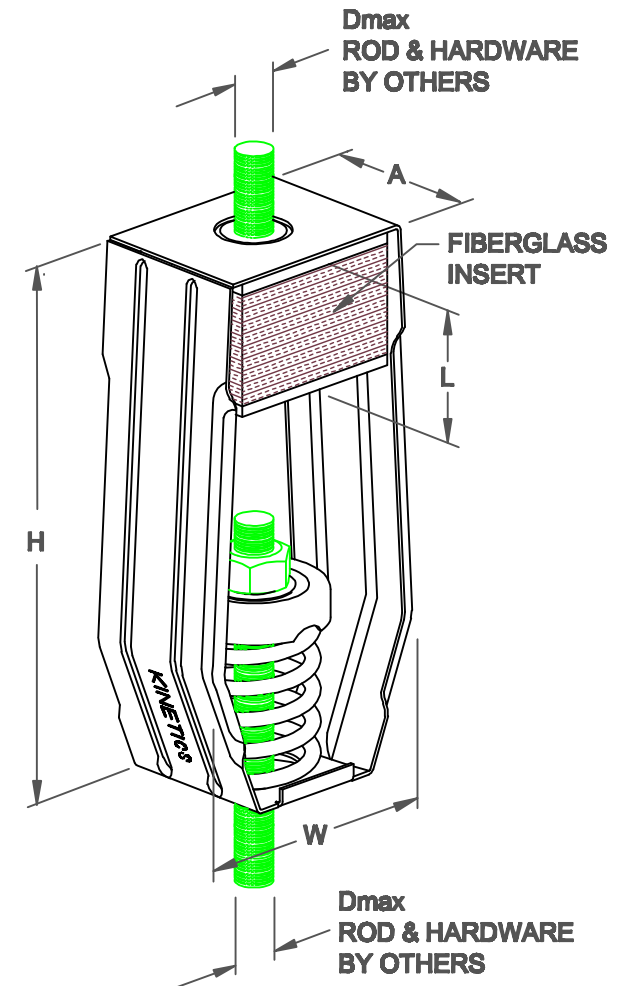


## SFH 2" DEFLECTION ISOLATION HANGERS

IP UNITS (INCHES AND POUNDS)

TYPE	L	H	W	A	DMAX
2-260/1200	2.00	8.59	5.58	3.63	1.00

STANDARD RATINGS				SPRING COIL			FIBERGLASS INSERT
TYPE	SIZE	LOAD	DEFL.	COLOR	FREE HT.	O.D.	DENSITY
SFH	2-260	260	2.20	BLUE	4.20	3.00	L
SFH	2-465	465	2.02	GREEN	4.20	3.00	L
SFH	2-720	720	1.93	BLACK	4.20	3.00	Q
SFH	2-850	850	2.01	WHITE	4.25	3.00	Q
SFH	2-1025	1025	1.81	BEIGE	4.25	3.00	R
SFH	2-1200	1200	1.77	CHROME	4.50	3.00	R



### SPECIFICATIONS:

- SPRING ELEMENTS AND BRACKETS ARE POWDER COATED.
- LOAD PLATES ARE BRIGHT ZINC PLATED.
- ISOLATION HANGERS HAVE A TYPICAL OVERLOAD OF 50%.
- ISOLATION HANGERS HAVE A MINIMUM  $K_x/K_y$  RATIO OF 1.4.
- SPRING ELEMENTS ARE SAFE AT SOLID LOADING.
- HANGER BRACKETS WILL CARRY (5) TIMES OVERLOAD WITHOUT FAILURE.
- HANGER BRACKETS WILL ALLOW 30° ROD MISALIGNMENT WITHOUT SHORT CIRCUITING.
- ISOLATION HANGERS INCORPORATE "NO SHORT" STEP CAP.



KINETICS NOISE CONTROL, INC  
 6300 IRELAN PL,  
 DUBLIN, OH 43017 USA  
 Ph: 614 889-0480, Fax: 614 889-0540  
 www.kineticnoise.com

Model:  
**SFH-2-  
 260/1200**

By: **JMJ**  
 Date: **10/24/03**  
 Revised: **03/27/09 / BB**

Drawing No:  
**S-03.35-22**