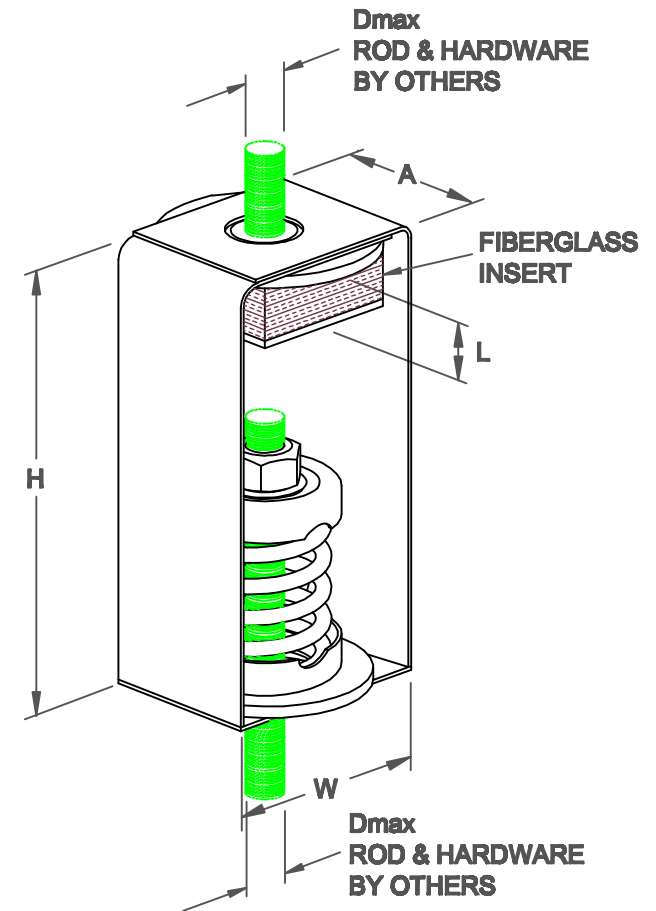


SFH 1" DEFLECTION ISOLATION HANGERS

IP UNITS (INCHES AND POUNDS)

TYPE	L	H	W	A	DMAX
1-2200/3500	1.50	9.50	5.00	4.75	1.00

STANDARD RATINGS				SPRING COIL				FIBERGLASS INSERT
TYPE	SIZE	LOAD	DEFL.	COLOR		FREE	O.D.	DENSITY
				OUTER	INNER	HT.		
SFH	1-2200	2200	1.05	ORANGE	GRAY	4.20	3.00	S
SFH	1-2465	2465	1.05	BLUE		4.20	3.00	S
SFH	1-2865	2865	1.05	BLUE	GRAY	4.20	3.00	S
SFH	1-3500	3500	1.06	BLUE	BROWN	4.20	3.00	S



SPECIFICATIONS:

- SPRING ELEMENTS AND BRACKETS ARE POWDER COATED.
- LOAD PLATES ARE BRIGHT ZINC PLATED.
- ISOLATION HANGERS HAVE A TYPICAL OVERLOAD OF 50%.
- ISOLATION HANGERS HAVE A MINIMUM K_x/K_y RATIO OF 1.0.
- SPRING ELEMENTS ARE SAFE AT SOLID LOADING.
- HANGER BRACKETS WILL CARRY (5) TIMES OVERLOAD WITHOUT FAILURE.
- HANGER BRACKETS WILL ALLOW 30° ROD MISALIGNMENT WITHOUT SHORT CIRCUITING.
- ISOLATION HANGERS INCORPORATE "NO SHORT" STEP CAP.



KINETICS NOISE CONTROL, INC
 8300 IRELAN PL,
 DUBLIN, OH 43017 USA
 Ph: 614 889-0480, Fax: 614 889-0540
 www.kineticnoise.com

Model:
**SFH-
 1-2200/3500**

By: **JMJ**
 Date: **10/24/03**
 Revised: **03/27/09 / BB**

Drawing No:
S-03.35-14