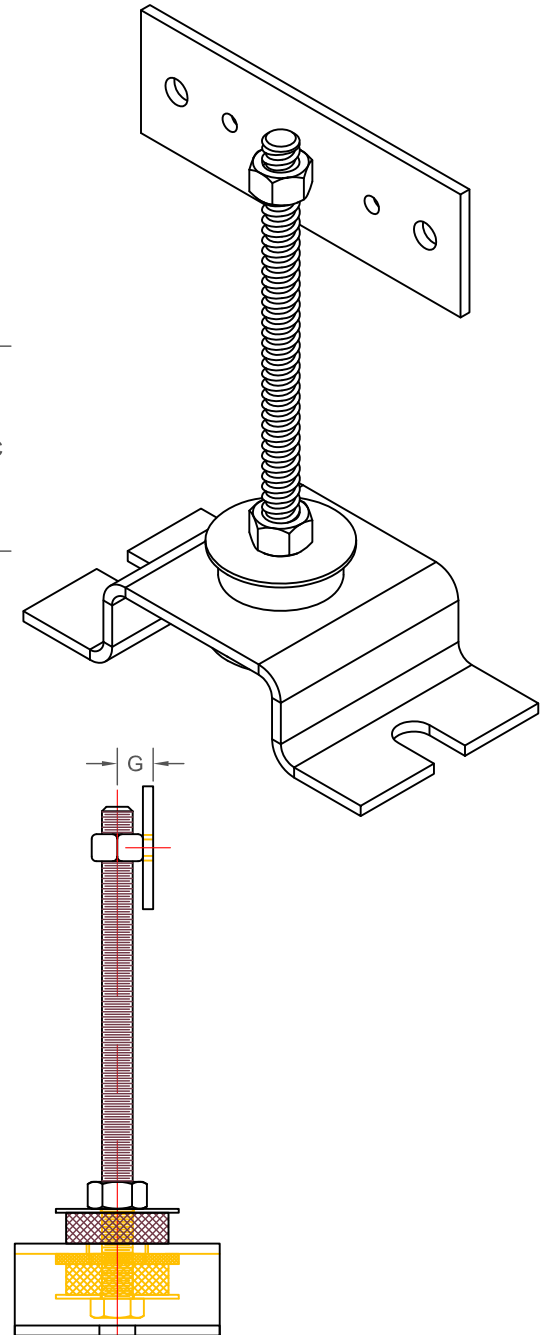
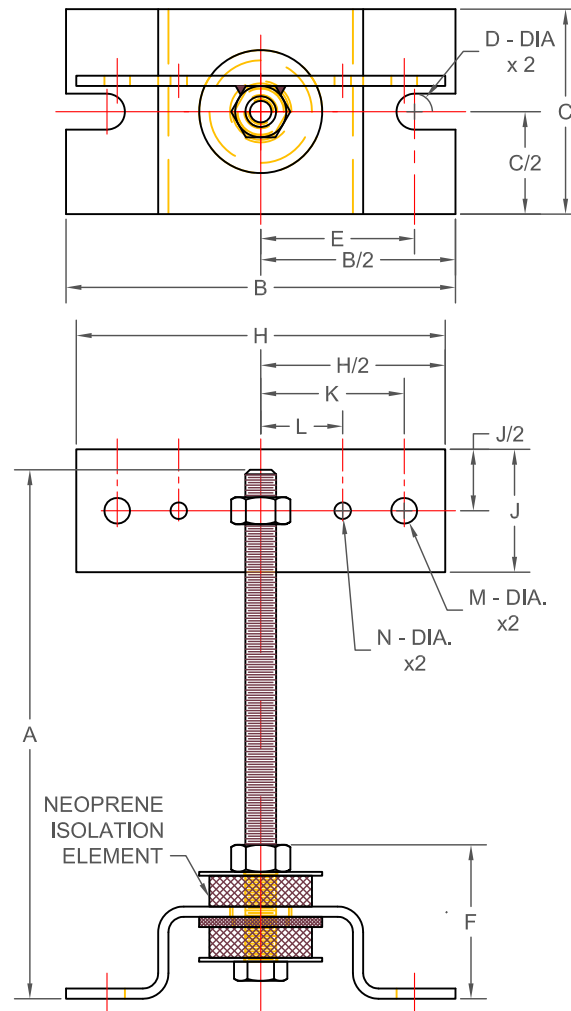


PSB-S-75/125					
SI UNITS (mm AND kg)					
MODEL	RATED			DURO	COLOR
	LOAD	DEFL.	NATURAL FREQUENCY		
PSB-S-75	34	3	10.0	35	BLACK
PSB-S-125	57	3	10.0	60	BLACK

DIMENSION													
A	B	C	D	E	F	G	H	J	K	L	M	N	
164	121	64	11	48	48	11	114	38	44	25	8	5	



SPECIFICATIONS:

- ISOLATORS ARE DESIGNED TO LIMIT WALL MOTION.
- ISOLATOR BRACKETS AND HARDWARE ARE ZINC PLATED STEEL.



KINETICS NOISE CONTROL, INC
6300 IRELAN PL,
DUBLIN, OH 43017 USA
Ph: 614 889-0480, Fax: 614 889-0540
www.kineticsnoise.com

Model:
PSB-S-75/125

By: **BB**
Date: **05/03/11**
Revised: **01/03/12 / BB**

Drawing No:
S-02.07-12
METRIC