

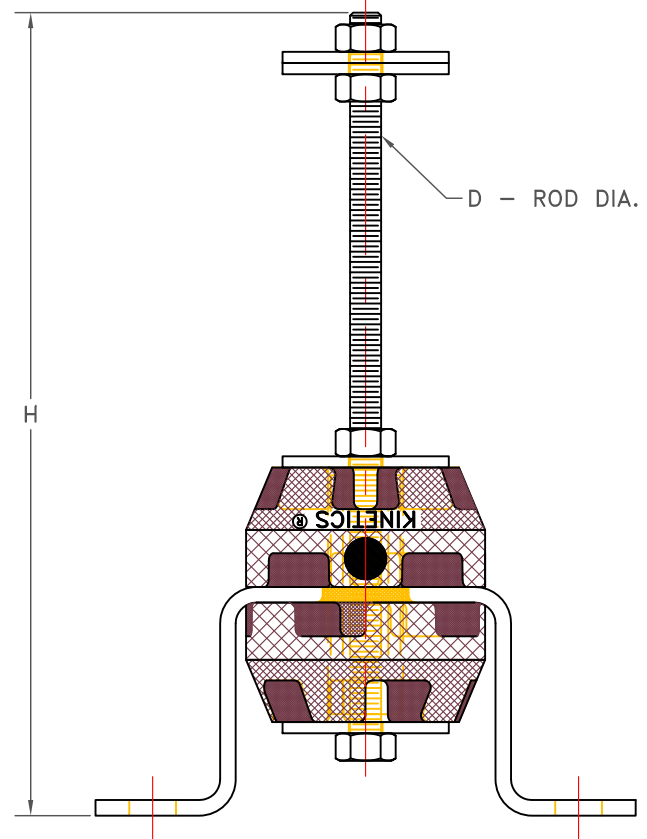
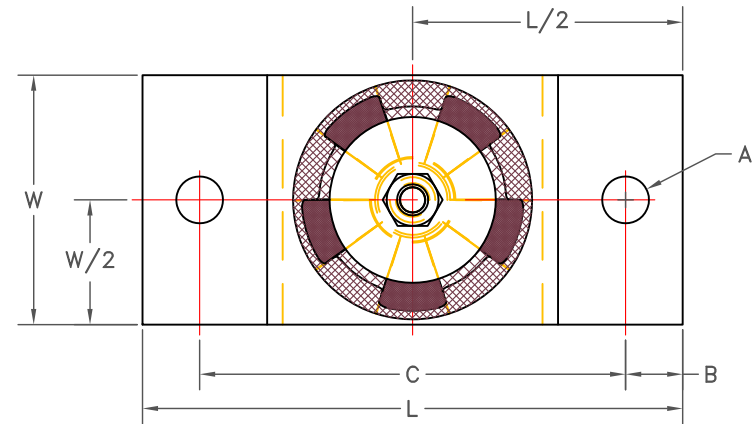
PSB WALL RESTRAINT

SI UNITS (mm AND kg)

TYPE	A	B	C	D	H	L	W
175/2000	14	17	130	10	245	165	76

STANDARD RATINGS

TYPE	SIZE	INSERT COLOR	DURO-METER	RATED LOAD
PSB	175	RED	40	79
PSB	300	GREEN	50	136
PSB	450	WHITE	60	204
PSB	750	PURPLE	70	340
PSB	1100	YELLOW	80	499
PSB	2000	PINK	90	907



SPECIFICATIONS:

- ISOLATORS ARE DESIGNED TO LIMIT WALL MOTION.
- ALL HARDWARE IS ZINC PLATED.
- BASE BRACKET IS ZINC PLATED.



KINETICS NOISE CONTROL, INC
 6300 IRELAN PL.,
 DUBLIN, OH 43017 USA
 Ph: 614 889-0480, Fax: 614 889-0540
 www.kineticsnoise.com

Model:
PSB-175/2000

By: PWM
 Date: 07/11/03
 Revised: 11/22/10 / BB

Drawing No:
S-02.07-11 METRIC