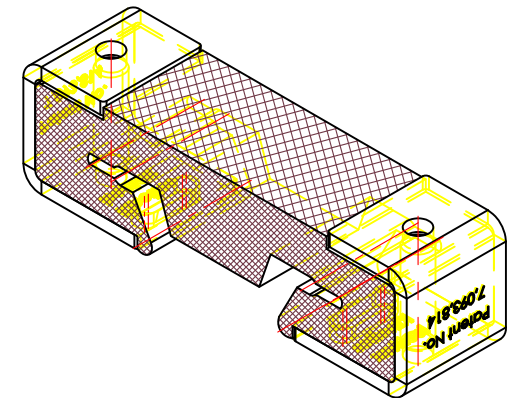
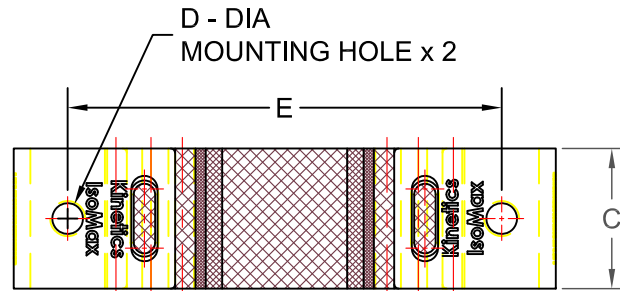
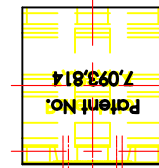
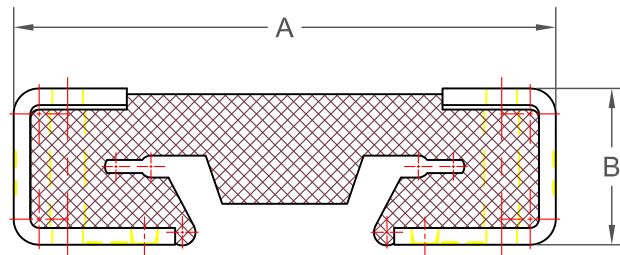


ISOMAX WALL AND CEILING CLIP					
IP UNITS (INCHES AND POUNDS)					
TYPE	A	B	C	D	E
ISOMAX	3.86	1.11	1.00	0.22	3.13



SPECIFICATIONS:

- ISOLATORS ARE DESIGNED TO LIMIT WALL MOTION.
- ISOLATOR BRACKET IS GALVANIZED STEEL.
- ISOLATOR RESILIENT ELEMENT IS 50 DURO NEOPRENE .



KINETICS NOISE CONTROL, INC
 6300 IRELAN PL,
 DUBLIN, OH 43017 USA
 Ph: 614 889-0480, Fax: 614 889-0540
 www.kineticsnoise.com

Model:
ISOMAX

By: **BB**
 Date: **02/18/11**
 Revised: **/**

Drawing No:
S-02.07-01