

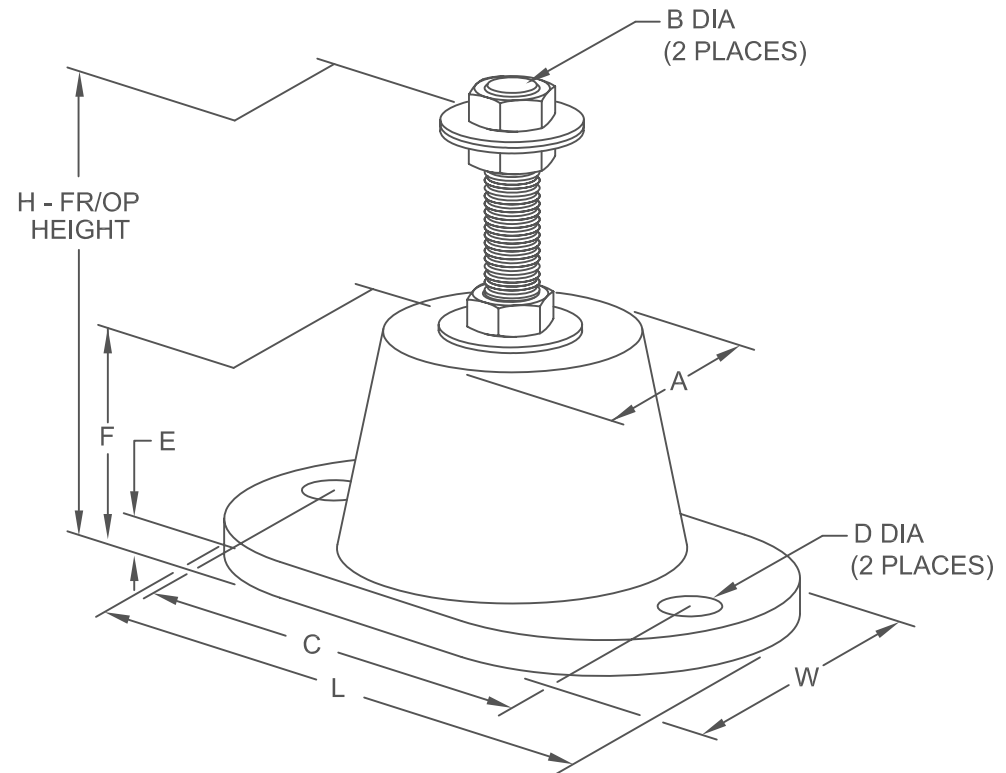
# RD MOUNT W/ LEVELING BOLT

S-I UNITS (mm AND kg)

| TYPE          | L   | W   | A  | B  | C   | D  | E  | F  | H   |
|---------------|-----|-----|----|----|-----|----|----|----|-----|
| RDA-55/125    | 81  | 46  | 32 | 8  | 60  | 9  | 5  | 38 | 67  |
| RDB-120/375   | 98  | 60  | 44 | 10 | 76  | 9  | 6  | 44 | 76  |
| RDC-250/1100  | 140 | 83  | 64 | 13 | 105 | 14 | 6  | 64 | 102 |
| RDD-2250/4000 | 159 | 117 | 95 | 13 | 127 | 14 | 10 | 70 | 108 |

## STANDARD RATINGS

| TYPE  | SIZE | COLOR  | RATED |       |
|-------|------|--------|-------|-------|
|       |      |        | LOAD  | DEFL. |
| RDA   | 55   | YELLOW | 25    | 10    |
| RDA   | 125  | BLUE   | 57    | 10    |
| RDB   | 120  | ORANGE | 54    | 13    |
| RDB   | 220  | GREEN  | 100   | 13    |
| RDB   | 375  | BLUE   | 170   | 13    |
| RDC   | 250  | YELLOW | 113   | 13    |
| RDC   | 600  | BLUE   | 272   | 13    |
| RDC   | 1100 | WHITE  | 499   | 13    |
| * RDD | 2250 | RED    | 1021  | 13    |
| * RDD | 3000 | GREEN  | 1361  | 13    |
| * RDD | 4000 | GRAY   | 1814  | 13    |



### NOTES:

- ITEMS MARKED (\*) HAVE RECTANGULAR BASE PLATE



KINETICS NOISE CONTROL, INC  
 6300 IRELAN PL,  
 DUBLIN, OH 43017 USA  
 Ph: 614 889-0480, Fax: 614 889-0540  
 www.kineticsnoise.com

Model:  
**RD-LB  
 MOUNT**

By: **JMJ**  
 Date: **06/06/03**  
 Revised: **11/20/07 / BB**

Drawing No:  
**S-02.05-12  
 METRIC**