

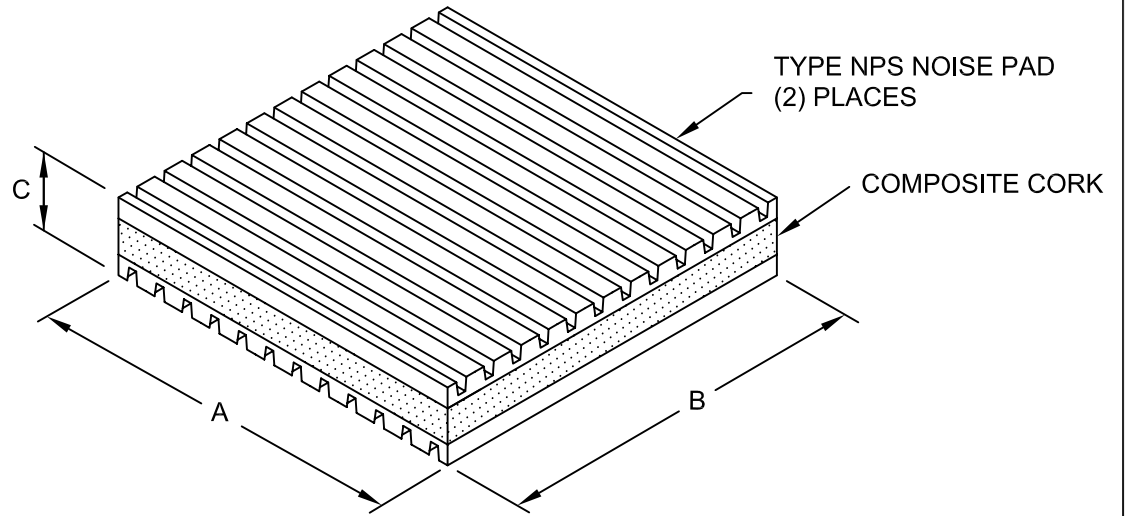
# NCP NEOPRENE PAD

TYPE	A	B	C
NCP-2	2.00	2.00	0.88
NCP-3	3.00	3.00	0.88
NCP-4	4.00	4.00	0.88
NCP-6	6.00	6.00	0.88
NCP-18	18.00	18.00	0.88

I-P UNITS (INCHES AND POUNDS)

## STANDARD RATINGS

TYPE	MIN OP HT	MAX OP HT	CAPACITY RANGE
NCP-2	0.77	0.84	100-300
NCP-3	0.77	0.84	225-675
NCP-4	0.77	0.84	400-1200
NCP-6	0.77	0.84	900-2700
NCP-18	0.77	0.84	8100-24300



### NOTES:

- NCP PADS CAN BE CUSTOM CUT TO ANY SIZE UP TO 18" X 18"
- RECOMMENDED LOADING: 25-75 PSI



KINETICS NOISE CONTROL, INC  
 6300 IRELAN PL,  
 DUBLIN, OH 43017 USA  
 Ph: 614 889-0480, Fax: 614 889-0540  
[www.kineticsnoise.com](http://www.kineticsnoise.com)

Model:  
**NCP  
 PAD**

By: **JMJ**  
 Date: **05/16/03**  
 Revised: /

Drawing No:  
**S-02.03-11**