

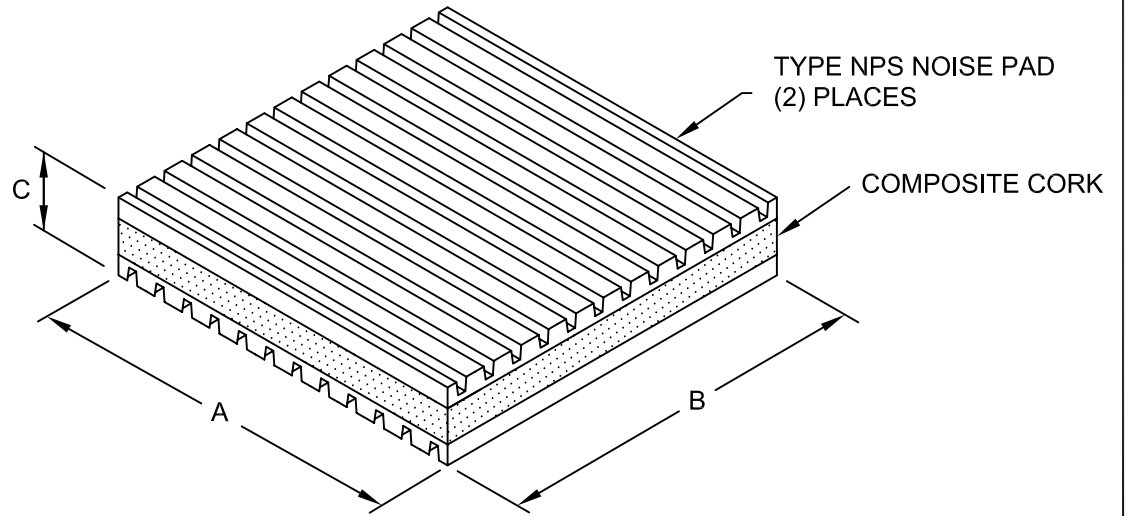
NCP NEOPRENE PAD

TYPE	A	B	C
NCP-2	51	51	22
NCP-3	76	76	22
NCP-4	102	102	22
NCP-6	152	152	22
NCP-18	457	457	22

S-I UNITS (MM AND KG)

STANDARD RATINGS

TYPE	MIN OP HT	MAX OP HT	CAPACITY RANGE
NCP-2	20	21	45-136
NCP-3	20	21	102-307
NCP-4	20	21	182-545
NCP-6	20	21	409-1226
NCP-18	20	21	3677-11046



NOTES:

- NCP PADS CAN BE CUSTOM CUT TO ANY SIZE UP TO 457 X 457
- RECOMMENDED LOADING: 172-517 kPA



KINETICS NOISE CONTROL, INC
 6300 IRELAN PL,
 DUBLIN, OH 43017 USA
 Ph: 614 889-0480, Fax: 614 889-0540
www.kineticsnoise.com

Model:
**NCP
 PAD**

By: **JMJ**
 Date: **05/16/03**
 Revised: **/**

Drawing No:
S-02.03-11(M)