

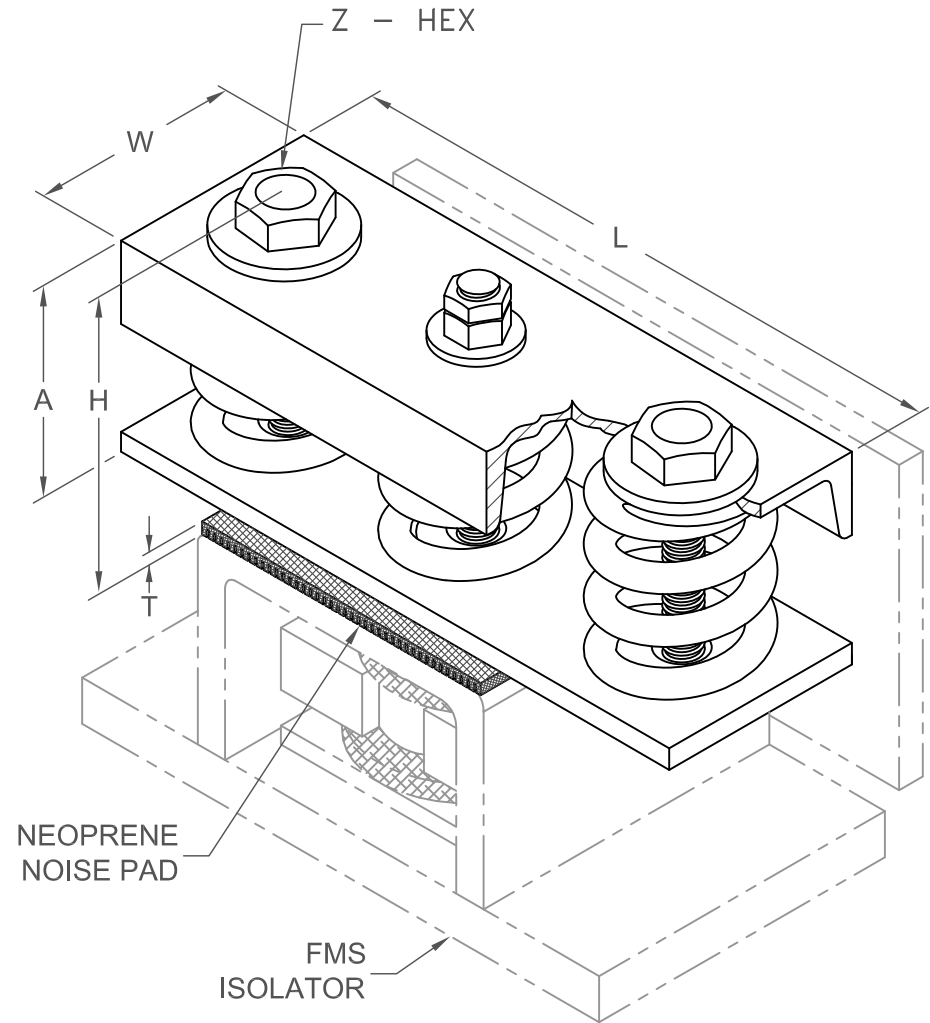
## FMS 2" DEFLECTION ISOLATOR

IP UNITS (INCHES AND POUNDS)

TYPE	L	W	T	A	H	Z
2-9100/13500	17.13	6.63	0.22	8.19	9.88	2.25

STANDARD RATINGS				SPRING DATA					APPLICABLE MODELS
				COLOR			FREE		
TYPE	SIZE	LOAD	DEFL.	OUTER	INNER1	INNER2	HT.	O.D.	
FMS	2-9100	9100	2.02	BLUE	GREEN		7.00	5.00	D/E
FMS	2-9750	9750	2.00	BLUE	BLACK		7.00	5.00	D/E
FMS	2-10800	10800	2.00	ORANGE	RED		7.00	5.00	D/E
FMS	2-12000	12000	2.00	ORANGE	RED	GREEN	7.00	5.00	D/E
FMS	2-13500	13500	2.00	BLUE	RED	GREEN	7.00	5.00	D/E

**NOTE:** FMS RESTRAINT SHOWN IS NOT TO SCALE. ACTUAL SIZE AND SHAPE MAY VARY. SEE CORRESPONDING FMS RESTRAINT SUBMITTAL FOR ACTUAL DIMENSIONS.



### SPECIFICATIONS:

- FREE STANDING COIL SPRING ISOLATOR.
- POWDER COATED SPRING ELEMENTS AND LOAD PLATES.
- OTHER METALLIC COMPONENTS ARE BRIGHT ZINC PLATED.
- MINIMUM OVERLOAD OF 50%.
- MINIMUM K<sub>x</sub>/K<sub>y</sub> RATIO OF 1.0.
- ALL ELEMENTS SAFE AT SOLID LOADING.
- ALL THREADED MEMBERS ARE AMERICAN STANDARD.



KINETICS NOISE CONTROL, INC  
 6300 IRELAN PL,  
 DUBLIN, OH 43017 USA  
 Ph: 614 889-0480, Fax: 614 889-0540  
 www.kineticsnoise.com

Model:  
**FMS-2-  
 9100/13500**

By: **JMJ**  
 Date: **10/14/03**  
 Revised: **03/09/11 / BB**

Drawing No:  
**S-01.40-24**