

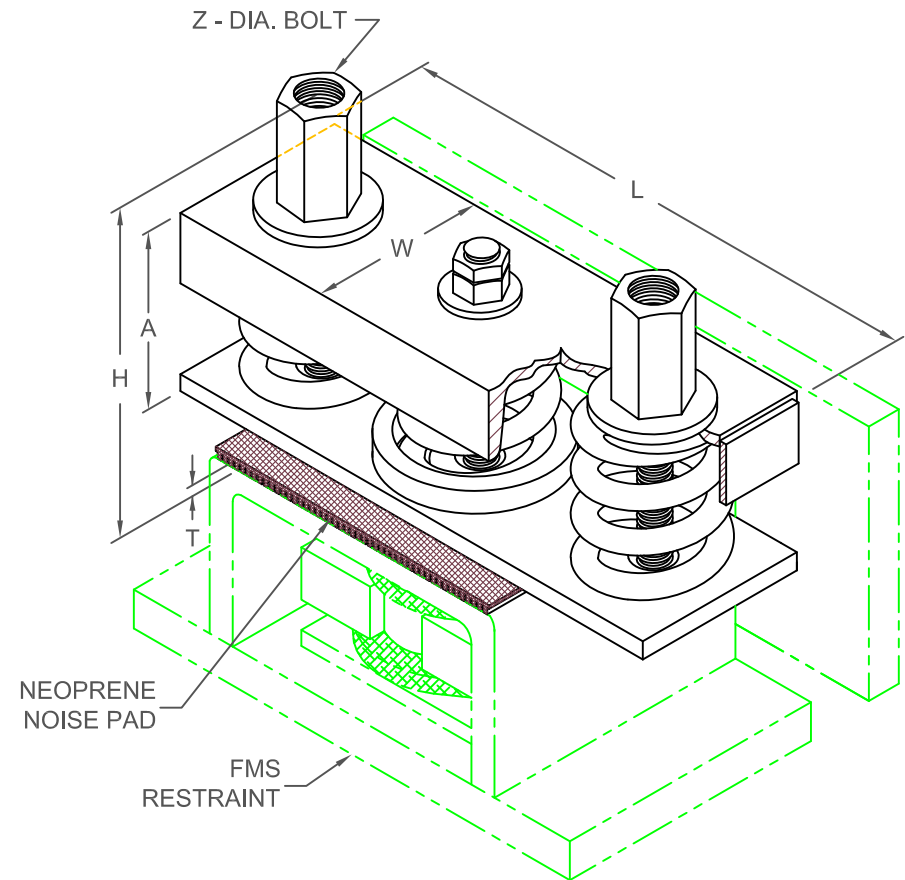
### FMS 1" DEFLECTION ISOLATOR

IP UNITS (INCHES AND POUNDS)

TYPE	L	W	A	H	T	Z
1-3750/10500	10.63	4.00	5.27	7.94	0.22	0.75

STANDARD RATINGS		SPRING COIL						APPLICABLE MODELS
TYPE	SIZE	COLOR		FREE HT.	O.D.	RATED		
		OUTER	INNER			LOAD	DEFL.	
FMS	1-3750	BROWN		4.20	3.00	3750	1.09	C, D, E
FMS	1-5100	ORANGE		4.20	3.00	5100	0.95	C, D, E
FMS	1-6300	ORANGE	GRAY	4.20	3.00	6300	0.96	C, D, E
FMS	1-7395	BLUE		4.20	3.00	7395	1.00	D, E
FMS	1-8595	BLUE	GRAY	4.20	3.00	8595	1.00	D, E
FMS	1-10500	BLUE	BROWN	4.20	3.00	10500	1.00	D, E

NOTE: FMS RESTRAINT SHOWN IS NOT TO SCALE. ACTUAL SIZE AND SHAPE MAY VARY. SEE CORRESPONDING FMS RESTRAINT SUBMITTAL FOR ACTUAL DIMENSIONS.



#### SPECIFICATIONS:

- FREE STANDING COIL SPRING ISOLATOR.
- POWDER COATED SPRING ELEMENTS AND LOAD PLATES.
- OTHER METALLIC COMPONENTS ARE BRIGHT ZINC PLATED.
- MINIMUM OVERLOAD OF 50%.
- MINIMUM  $K_x/K_y$  RATIO OF 1.0.
- ALL ELEMENTS SAFE AT SOLID LOADING.
- ALL THREADED MEMBERS ARE AMERICAN STANDARD.



KINETICS NOISE CONTROL, INC  
6300 IRELAN PL.,  
DUBLIN, OH 43017 USA  
Ph: 614 889-0480, Fax: 614 889-0540  
www.kineticsnoise.com

Model:  
**FMS-1-  
3750/10500**

By: JMJ  
Date: 10/21/03  
Revised: 03/09/11 / BB

Drawing No:  
**S-01.40-14**