

FMS 1" DEFLECTION ISOLATOR
IP UNITS (INCHES AND POUNDS)

NOTE:
 FMS RESTRAINT SHOWN IS NOT TO SCALE.
 ACTUAL SIZE AND SHAPE MAY VARY.
 SEE CORRESPONDING FMS RESTRAINT
 SUBMITTAL FOR ACTUAL DIMENSIONS.

TYPE	W	T	H	Z
1-50/3500	3.88	0.38	6.63	0.38

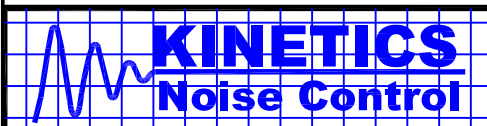
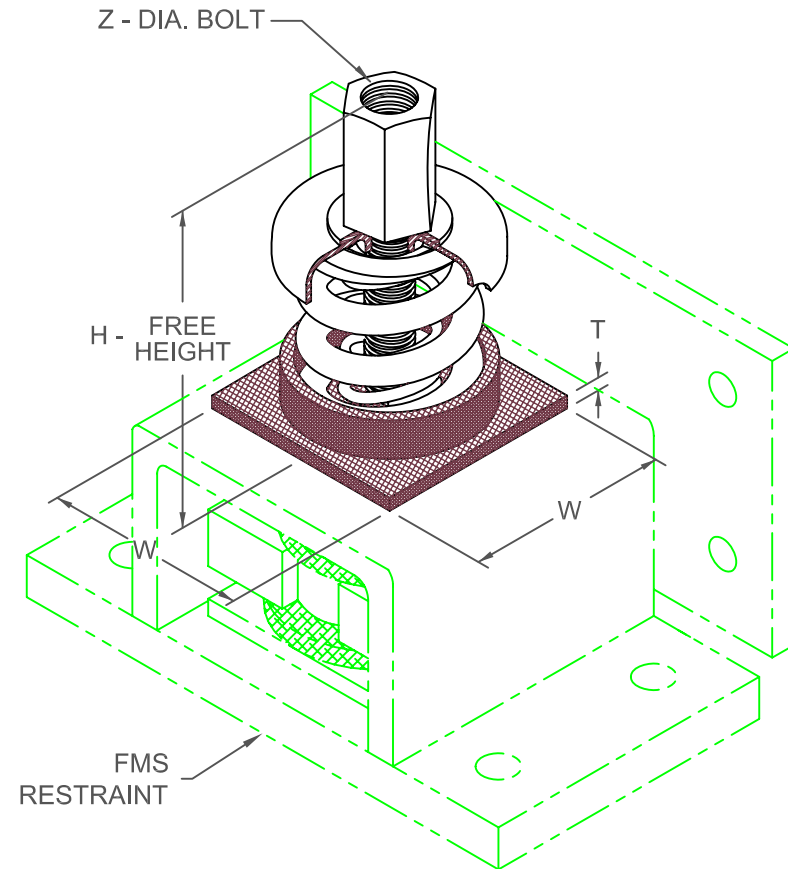
STANDARD RATINGS		SPRING COIL					
		COLOR		FREE		RATED	
TYPE	SIZE	OUTER	INNER	HT.	O.D.	LOAD	DEFL.
FMS	1-50	BEIGE		4.20	3.00	50	1.00
FMS	1-100	CHROME		4.20	3.00	100	1.00
FMS	1-250	BLUE		4.20	3.00	250	1.79
FMS	1-450	GREEN		4.20	3.00	450	1.54
FMS	1-625	BLACK		4.20	3.00	625	1.44
FMS	1-800	GRAY		4.20	3.00	800	1.31
FMS	1-1000	RED		4.20	3.00	1000	1.15
FMS	1-1250	BROWN		4.20	3.00	1250	1.09
FMS	1-1700	ORANGE		4.20	3.00	1700	0.95
FMS	1-2100	ORANGE	GRAY	4.20	3.00	2100	0.96
FMS	1-2465	BLUE		4.20	3.00	2465	1.00
FMS	1-2865	BLUE	GRAY	4.20	3.00	2865	1.00
FMS	1-3500	BLUE	BROWN	4.20	3.00	3500	1.00

SPRING PACK USED WITH FMS RESTRAINT MODELS:

- FMSA
- FMSB
- FMSC
- FMSD
- FMSE

SPECIFICATIONS:

- FREE STANDING COIL SPRING ISOLATOR.
- POWDER COATED SPRING ELEMENTS.
- OTHER METALLIC COMPONENTS BRIGHT ZINC PLATED .
- MINIMUM OVERLOAD OF 50%.
- MINIMUM Kx/Ky RATIO OF 1.0.
- ALL ELEMENTS SAFE AT SOLID LOADING.
- ALL THREADED MEMBERS ARE AMERICAN STANDARD.



KINETICS NOISE CONTROL, INC
 6300 IRELAN PL,
 DUBLIN, OH 43017 USA
 Ph: 614 889-0480, Fax: 614 889-0540
 www.kineticsnoise.com

Model:
FMS-1-50/3500

By: JMJ
 Date: 10/21/03
 Revised: 02/11/08 / BB

Drawing No:
S-01.40-12