

# FHS 4" DEFLECTION SEISMIC ISOLATOR IP UNITS (INCHES AND POUNDS)

TYPE	L	W	T	A	D	E	H	Z
4-100/1600	12.25	7.00	0.50	0.81	0.69	3.50	14.13	0.63
4-2250/5800	14.75	10.00	0.50	0.94	1.06	5.00	16.19	0.88

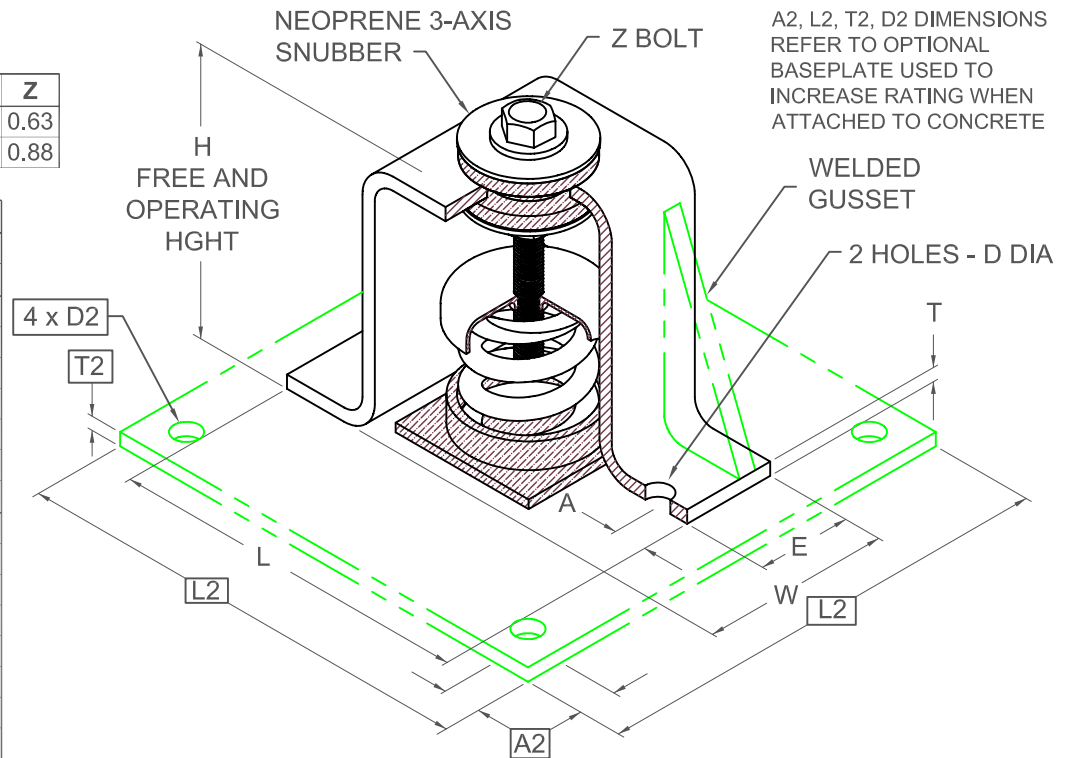
STANDARD RATINGS		SPRING COIL					
TYPE	SIZE	COLOR		FREE		RATED	
		OUTER	INNER 1	HT.	O.D.	LOAD	DEFL.
FHS	4-100	GRAY		10.00	5.63	100	4.00
FHS	4-250	BLUE		10.00	5.63	250	4.00
FHS	4-500	GREEN		10.00	5.63	500	4.00
FHS	4-750	BLACK		10.00	5.63	750	4.00
FHS	4-1000	RED		10.00	5.63	1000	4.00
FHS	4-1250	BROWN		10.00	5.63	1250	4.00
FHS	4-1600	ORANGE		10.00	5.63	1600	4.00
*FHS	4-2250	BEIGE		11.50	8.00	2250	4.00
*FHS	4-2500	BEIGE	BLUE	11.50	8.00	2500	4.00
*FHS	4-2750	BEIGE	GREEN	11.50	8.00	2750	4.00
*FHS	4-3000	BEIGE	BLACK	11.50	8.00	3000	4.00
*FHS	4-3250	BEIGE	RED	11.50	8.00	3250	4.00
*FHS	4-3500	BEIGE	BROWN	11.50	8.00	3500	4.00
*FHS	4-3850	BEIGE	ORANGE	11.50	8.00	3850	4.00
*FHS	4-4200	CHROME		11.50	8.00	4200	4.00
*FHS	4-4450	CHROME	BLUE	11.50	8.00	4450	4.00
*FHS	4-4700	CHROME	GREEN	11.50	8.00	4700	4.00
*FHS	4-4950	CHROME	BLACK	11.50	8.00	4950	4.00
*FHS	4-5200	CHROME	RED	11.50	8.00	5200	4.00
*FHS	4-5450	CHROME	BROWN	11.50	8.00	5450	4.00
*FHS	4-5800	CHROME	ORANGE	11.50	8.00	5800	4.00

\*INCLUDES WELDED GUSSET AS SHOWN

4-100/1600 REQUIRES 0.62 DIA x 4.0 MIN EMBED ANCHORS IN CONCRETE  
 4-2250/5800 REQUIRES 1.0 DIA x 9.0 MIN EMBED ANCHORS IN CONCRETE  
 (ALLOWABLE LOADS BASED ON 3000 PSI MIN CONCRETE)  
 4-100/1600 ANCHOR BOLT TORQUE - 75 FT LB, PULL TEST - 2670 LB  
 4-2250/5800 ANCHOR BOLT TORQUE - 200 FT LB, PULL TEST - 5310 LB

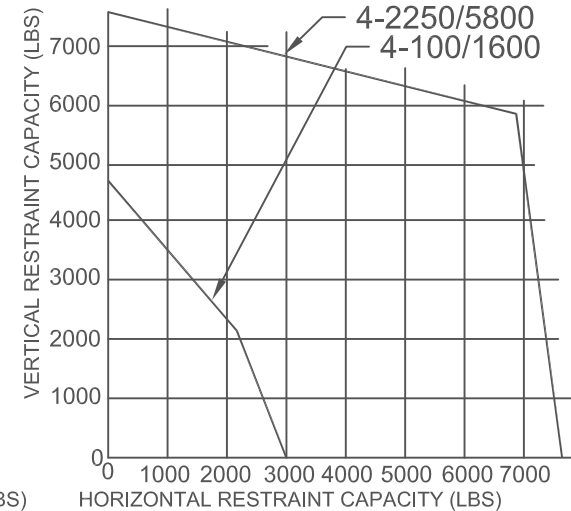
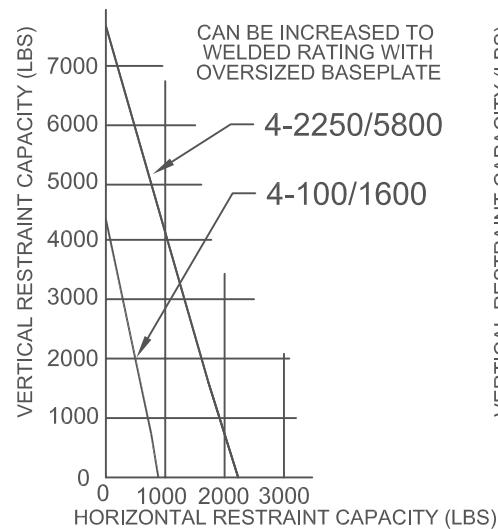
### SPECIFICATIONS:

- VERTICALLY AND LATERALLY RESTRAINED SPRING ISOLATOR WITH CONSTANT FREE AND OPERATING HEIGHT AND REPLACEABLE NEOPRENE SNUBBING ELEMENTS.
- 0.25 NOMINAL CLEARANCE IN SNUBBING ELEMENTS.
- MINIMUM OVERLOAD OF 50%.
- MINIMUM Kx/Ky RATIO OF 1.0.
- ALL ELEMENTS SAFE AT SOLID LOADING.
- POWDER COATED COILS AND HOT DIPPED GALVANIZED BRACKET
- OSHPD APPROVAL NUMBER R-0433



CONCRETE ANCHORS (SPEC INSPECTION)  
STANDARD HOUSING ONLY

WELDED TO STEEL



Computed horiz and vert seismic load combinations must fall within the restraint capacity envelope. Contact KNC for bolted to steel data.



KINETICS NOISE CONTROL, INC  
 6300 IRELAN PL,  
 DUBLIN, OH 43017 USA  
 Ph: 614 889-0480, Fax: 614 889-0540  
 www.kineticsnoise.com

Model:  
**FHS-4**

By: PWM  
 Date: 12/21/01  
 Revised: 06/14/06 / BB

Drawing No:  
**S-01.35-41**