

FHS 2" DEFLECTION SEISMIC ISOLATOR

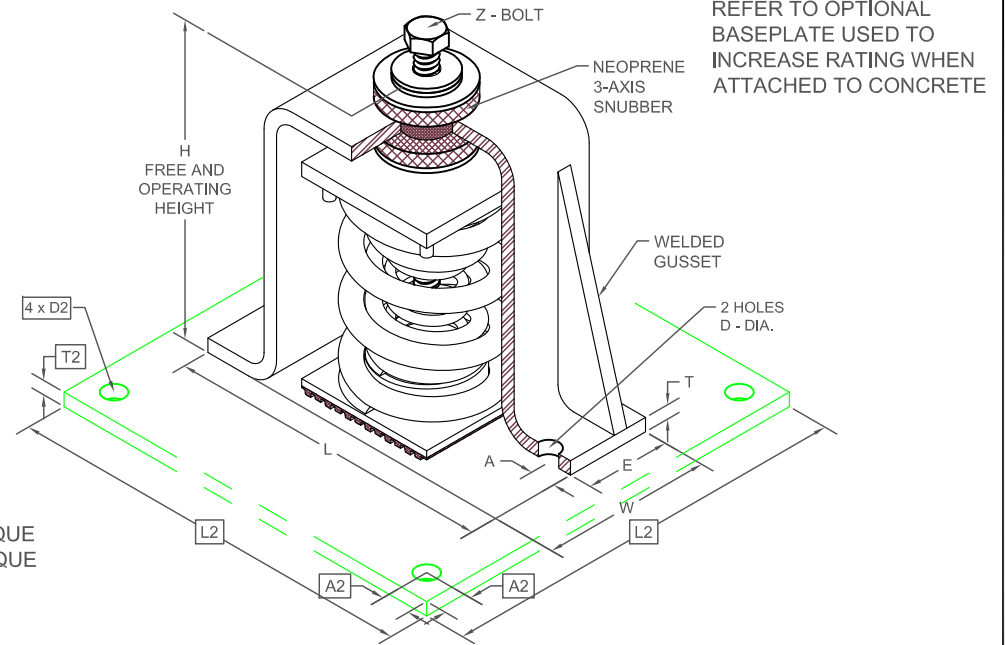
IP UNITS (INCHES AND POUNDS)

TYPE	L	W	T	A	D	E	H	Z
2-2000/4500	11.50	6.00	0.50	0.88	1.06	3.00	11.38	0.75

STANDARD RATINGS		SPRING COIL						
TYPE	SIZE	COLOR			FREE HT.	O.D.	RATED	
		OUTER	INNER 1	INNER 2			LOAD	DEFL.
FHS	2-2000	ORANGE			7.00	5.00	2000	2.00
FHS	2-2500	BLUE			7.00	5.00	2500	2.00
FHS	2-2750	BLUE	BLUE		7.00	5.00	2750	2.00
FHS	2-3025	BLUE	GREEN		7.00	5.00	3025	2.02
FHS	2-3500	BLUE	ORANGE		7.00	5.00	3500	2.00
FHS	2-3900	BLUE	ORANGE	GREEN	7.00	5.00	3900	2.00
FHS	2-4100	BLUE	RED		7.00	5.00	4100	2.00
FHS	2-4500	BLUE	RED	GREEN	7.00	5.00	4500	2.00

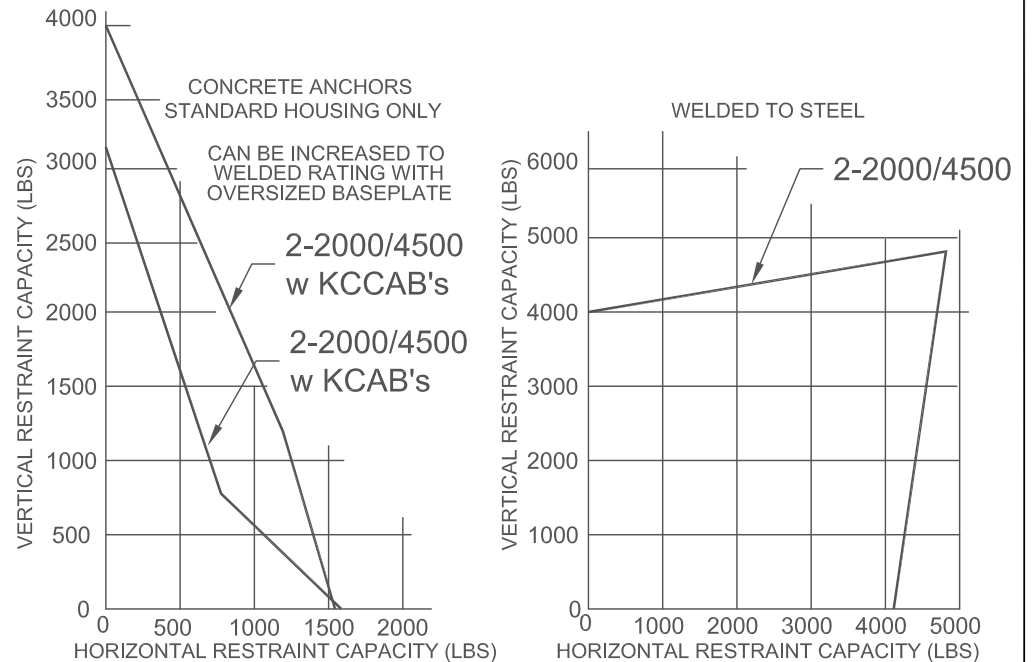
*INCLUDES WELDED GUSSET AS SHOWN

2-2000/4500 w .75 KCAB ANCHORS REQUIRES 6.0 EMBEDMENT AND 150 FT LB TORQUE
 w .75 KCCAB ANCHORS REQUIRES 4.75 EMBEDMENT AND 150 FT LB TORQUE
 (ALLOWABLE LOADS BASED ON 3000 PSI MIN CONCRETE)



SPECIFICATIONS:

- VERTICALLY AND LATERALLY RESTRAINED SPRING ISOLATOR WITH CONSTANT FREE AND OPERATING HEIGHT AND REPLACEABLE NEOPRENE SNUBBING ELEMENTS.
- 0.25 NOMINAL CLEARANCE IN SNUBBING ELEMENTS.
- MINIMUM OVERLOAD OF 50%.
- MINIMUM Kx/Ky RATIO OF 1.0.
- ALL ELEMENTS SAFE AT SOLID LOADING.
- POWDER COATED COILS AND HOT DIPPED GALVANIZED BRACKET.
- OSHPD APPROVAL NUMBER R-0433.



Computed horiz and vert seismic load combinations must fall within the restraint capacity envelope. Contact KNC for bolted to steel data.



KINETICS NOISE CONTROL, INC
 6300 IRELAN PL,
 DUBLIN, OH 43017 USA
 Ph: 614 889-0480, Fax: 614 889-0540
 www.kineticsnoise.com

Model:
FHS-2-2000/4500

By: **BB**
 Date: **11/15/04**
 Revised: **02/23/11 /PM**

Drawing No:
S-01.35-22