

# FHS 51 mm DEFLECTION ISOLATOR

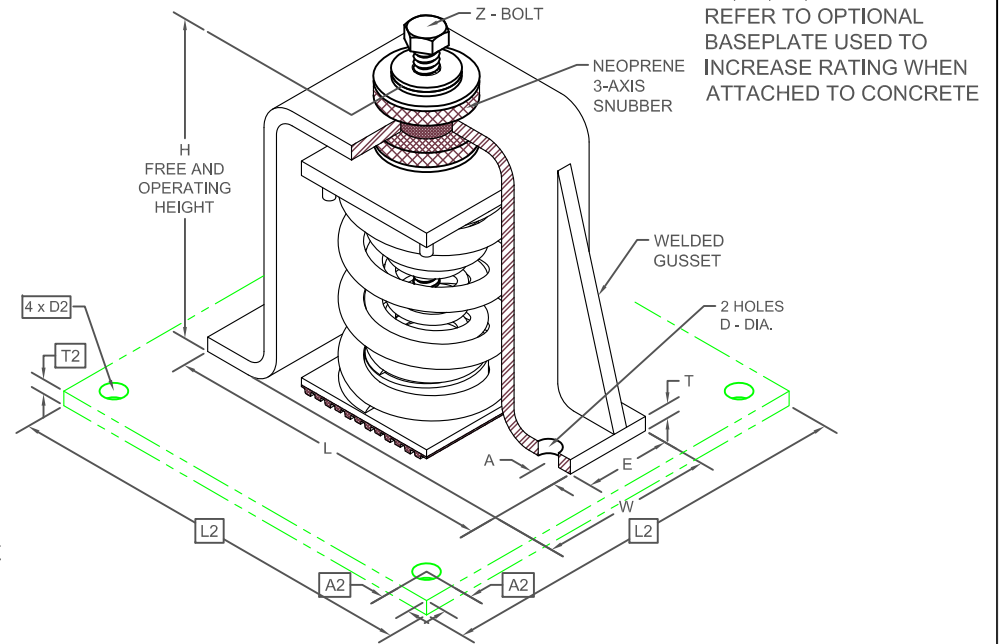
S-I UNITS (mm AND kg)

TYPE	L	W	T	A	D	E	H	Z
2-2000/4500	292	152	13	22	27	76	289	19

STANDARD RATINGS		SPRING COIL						
TYPE	SIZE	COLOR			FREE HT.	O.D.	RATED	
		OUTER	INNER 1	INNER 2			LOAD	DEFL.
FHS	2-2000	ORANGE			178	127	907	51
FHS	2-2500	BLUE			178	127	1134	51
FHS	2-2750	BLUE	BLUE		178	127	1247	51
FHS	2-3025	BLUE	GREEN		178	127	1372	51
FHS	2-3500	BLUE	ORANGE		178	127	1588	51
FHS	2-3900	BLUE	ORANGE	GREEN	178	127	1769	51
FHS	2-4100	BLUE	RED		178	127	1860	51
FHS	2-4500	BLUE	RED	GREEN	178	127	2041	51

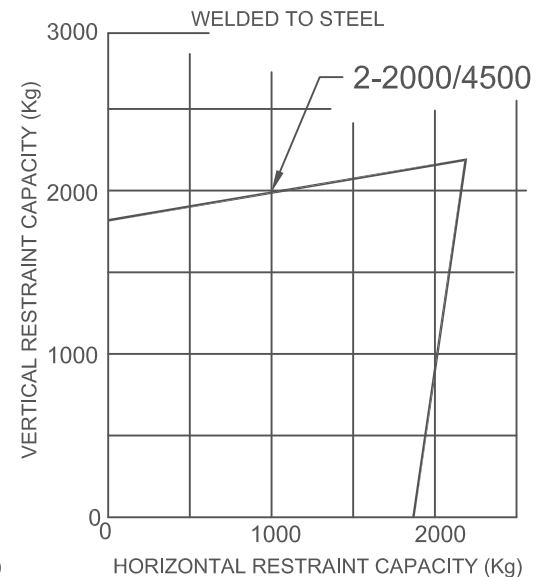
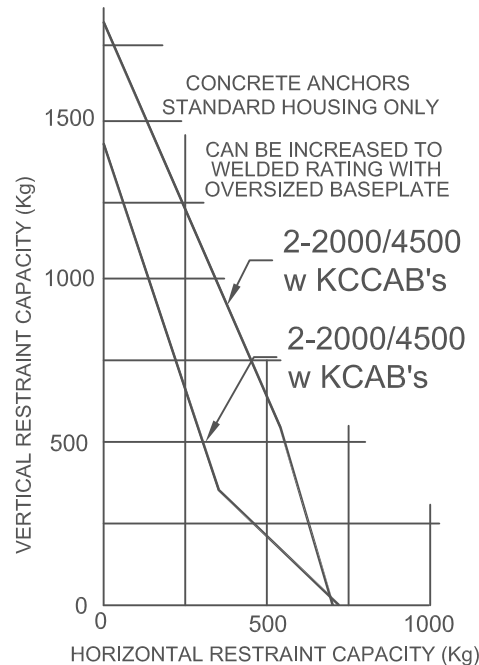
\*INCLUDES WELDED GUSSET AS SHOWN

2-2000/4500 w 19 KCAB ANCHORS REQUIRES 152 EMBEDMENT AND 204 NM TORQUE  
 w 19 KCCAB ANCHORS REQUIRES 121 EMBEDMENT AND 204 FT LB TORQUE  
 (ALLOWABLE LOADS BASED ON 20700 kPA MIN CONCRETE)



## SPECIFICATIONS:

- VERTICALLY AND Laterally RESTRAINED SPRING ISOLATOR WITH CONSTANT FREE AND OPERATING HEIGHT AND REPLACEABLE NEOPRENE SNUBBING ELEMENTS.
- 6mm NOMINAL CLEARANCE IN SNUBBING ELEMENTS.
- MINIMUM OVERLOAD OF 50%.
- MINIMUM Kx/Ky RATIO OF 1.0.
- ALL ELEMENTS SAFE AT SOLID LOADING.
- POWDER COATED COILS AND HOT DIPPED GALVANIZED BRACKET.
- OSHPD APPROVAL NUMBER R-0433.



Computed horiz and vert seismic load combinations must fall within the restraint capacity envelope. Contact KNC for bolted to steel data.



KINETICS NOISE CONTROL, INC  
 6300 IRELAN PL,  
 DUBLIN, OH 43017 USA  
 Ph: 614 889-0480, Fax: 614 889-0540  
 www.kineticsnoise.com

Model:  
**FHS-2-2000/4500**

By: BB  
 Date: 11/15/04  
 Revised: 02/23/11 /PM

Drawing No:  
**S-01.35-22(M)**