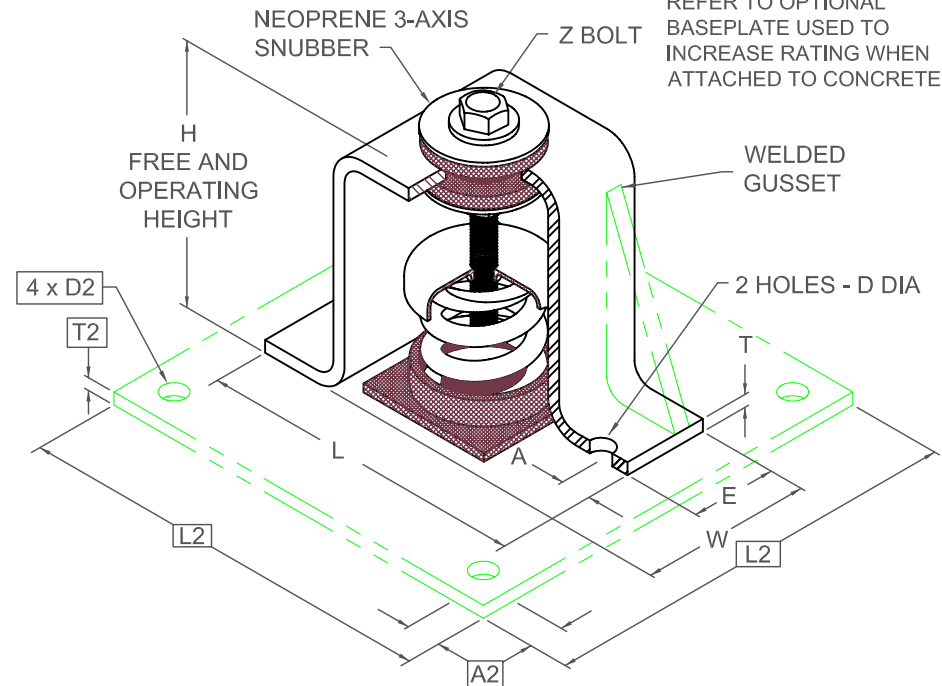


FHS 2" DEFLECTION SEISMIC ISOLATOR

IP UNITS (INCHES AND POUNDS)

TYPE	L	W	T	A	D	E	H	Z
2-100/1600	10.38	5.00	0.50	0.75	0.69	2.50	9.31	0.50
2-1975	10.38	5.00	0.50	0.75	0.69	2.50	9.31	0.50

A2, L2, T2, D2 DIMENSIONS REFER TO OPTIONAL BASEPLATE USED TO INCREASE RATING WHEN ATTACHED TO CONCRETE



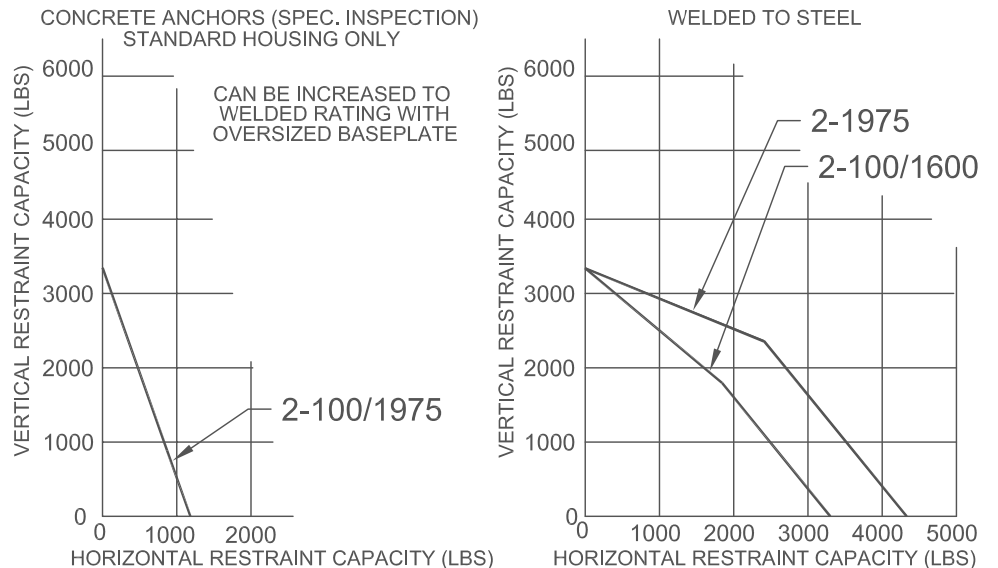
STANDARD RATINGS		SPRING COIL					
TYPE	SIZE	COLOR		FREE		RATED	
		OUTER	INNER 1	HT.	O.D.	LOAD	DEFL.
FHS	2-100	GRAY		6.09	3.50	100	2.00
FHS	2-135	BEIGE		6.09	3.50	135	2.00
FHS	2-185	BROWN		6.09	3.50	185	2.00
FHS	2-225	GRAY	BROWN	6.09	3.50	225	2.00
FHS	2-250	BLUE		6.09	3.50	250	2.00
FHS	2-375	BLUE	BROWN	6.09	3.50	375	2.00
FHS	2-500	GREEN		6.09	3.50	500	2.00
FHS	2-625	GREEN	BROWN	6.09	3.50	625	2.00
FHS	2-750	BLACK		6.09	3.50	750	2.00
FHS	2-875	BLACK	BROWN	6.09	3.50	875	2.00
FHS	2-995	ORANGE		6.09	3.50	995	2.00
FHS	2-1120	ORANGE	BROWN	6.09	3.50	1120	2.00
FHS	2-1400	ORANGE	GREEN	6.09	3.50	1400	2.01
FHS	2-1600	RED		6.09	3.50	1600	2.00
*FHS	2-1975	RED	GREEN	6.09	3.50	1975	1.98

*INCLUDES WELDED GUSSET AS SHOWN

2-100/1975 REQUIRES 0.62 DIA x 4.0 MIN EMBED ANCHORS IN CONCRETE (ALLOWABLE LOADS BASED ON 3000 PSI MIN CONCRETE)
 2-100/1975 ANCHOR BOLT TORQUE - 75 FT LB, PULL TEST - 2670 LB

SPECIFICATIONS:

- VERTICALLY AND LATERALLY RESTRAINED SPRING ISOLATOR WITH CONSTANT FREE AND OPERATING HEIGHT AND REPLACEABLE NEOPRENE SNUBBING ELEMENTS.
- 0.25 NOMINAL CLEARANCE IN SNUBBING ELEMENTS.
- MINIMUM OVERLOAD OF 50%.
- MINIMUM Kx/Ky RATIO OF 1.0.
- ALL ELEMENTS SAFE AT SOLID LOADING.
- POWDER COATED COILS AND HOT DIPPED GALVANIZED BRACKET
- OSHPD APPROVAL NUMBER R-0433



Computed horiz and vert seismic load combinations must fall within the restraint capacity envelope. Contact KNC for bolted to steel data.



KINETICS NOISE CONTROL, INC
 6300 IRELAN PL,
 DUBLIN, OH 43017 USA
 Ph: 614 889-0480, Fax: 614 889-0540
 www.kineticsnoise.com

Model:
FHS-2

By: PWM
 Date: 12/21/01
 Revised: 11/15/04 / BB

Drawing No:
S-01.35-21