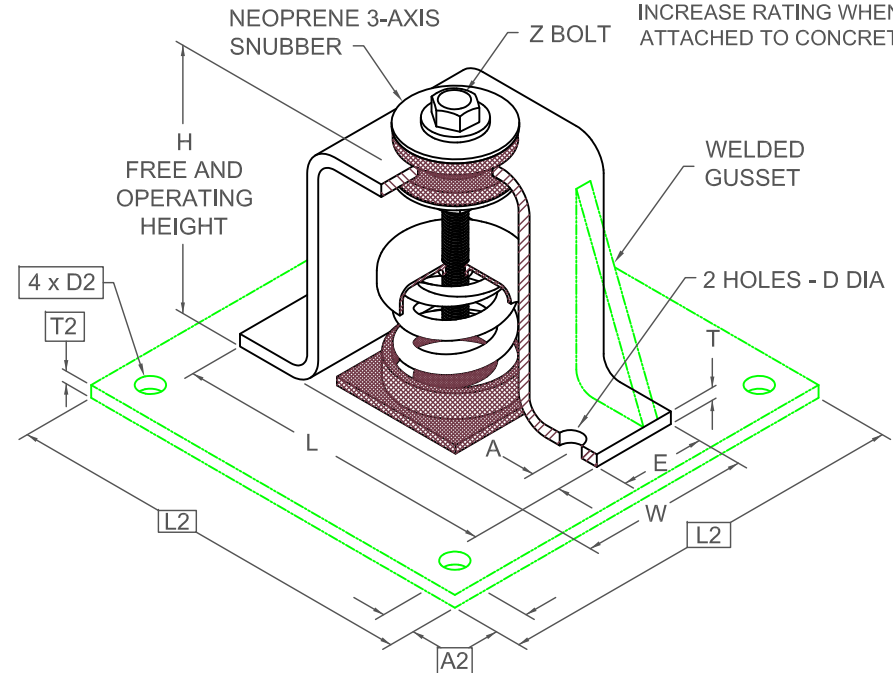


FHS 51 mm DEFLECTION ISOLATOR

S-I UNITS (mm AND kg)

TYPE	L	W	T	A	D	E	H	Z
2-100/1600	264	127	13	19	17	64	237	13
2-1975	264	127	13	19	17	64	237	13

A2, L2, T2, D2 DIMENSIONS REFER TO OPTIONAL BASEPLATE USED TO INCREASE RATING WHEN ATTACHED TO CONCRETE



STANDARD RATINGS		SPRING COIL					
TYPE	SIZE	COLOR		FREE		RATED	
		OUTER	INNER 1	HT.	O.D.	LOAD	DEFL.
FHS	2-100	GRAY		155	89	45	51
FHS	2-135	BEIGE		155	89	61	51
FHS	2-185	BROWN		155	89	84	51
FHS	2-225	GRAY	BROWN	155	89	102	51
FHS	2-250	BLUE		155	89	113	51
FHS	2-375	BLUE	BROWN	155	89	170	51
FHS	2-500	GREEN		155	89	227	51
FHS	2-625	GREEN	BROWN	155	89	283	51
FHS	2-750	BLACK		155	89	340	51
FHS	2-875	BLACK	BROWN	155	89	397	51
FHS	2-995	ORANGE		155	89	451	51
FHS	2-1120	ORANGE	BROWN	155	89	508	51
FHS	2-1400	ORANGE	GREEN	155	89	635	51
FHS	2-1600	RED		155	89	726	51
*FHS	2-1975	RED	GREEN	155	89	896	50

*INCLUDES WELDED GUSSET AS SHOWN

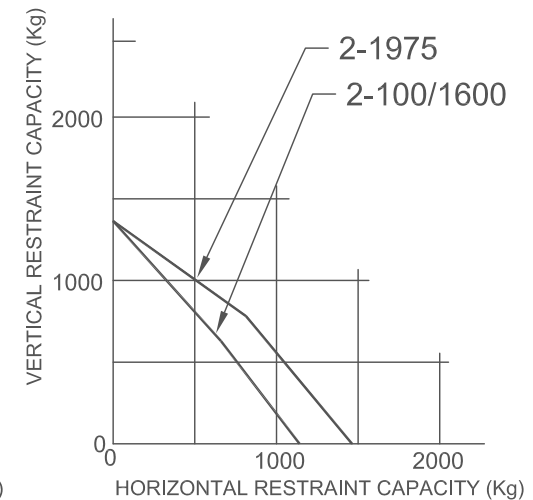
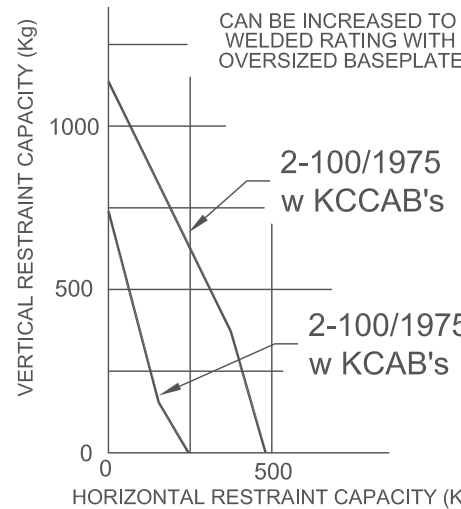
KCAB ANCHORS (16 DIA) REQUIRE 126 EMBEDMENT AND 115 NM TORQUE
 KCCAB ANCHORS (16 DIA) REQUIRE 101 EMBEDMENT AND 102 NM TORQUE
 (ALLOWABLE LOADS BASED ON 20700 kPA MIN CONCRETE)

SPECIFICATIONS:

- VERTICALLY AND LATERALLY RESTRAINED SPRING ISOLATOR WITH CONSTANT FREE AND OPERATING HEIGHT AND REPLACEABLE NEOPRENE SNUBBING ELEMENTS.
- 6mm NOMINAL CLEARANCE IN SNUBBING ELEMENTS.
- MINIMUM OVERLOAD OF 50%.
- MINIMUM Kx/Ky RATIO OF 1.0.
- ALL ELEMENTS SAFE AT SOLID LOADING.
- POWDER COATED COILS AND HOT DIPPED GALVANIZED BRACKET
- OSHPD APPROVAL NUMBER R-0433

CONCRETE ANCHORS
 —STANDARD HOUSING ONLY

WELDED TO STEEL



Computed horiz and vert seismic load combinations must fall within the restraint capacity envelope. Contact KNC for bolted to steel data.



KINETICS NOISE CONTROL, INC
 6300 IRELAN PL,
 DUBLIN, OH 43017 USA
 Ph: 614 889-0480, Fax: 614 889-0540
 www.kineticsnoise.com

Model:
FHS-2
100/1975

By: PWM
 Date: 12/21/02
 Revised: 02/23/11 /PM

Drawing No:
S-01.35-21(M)