

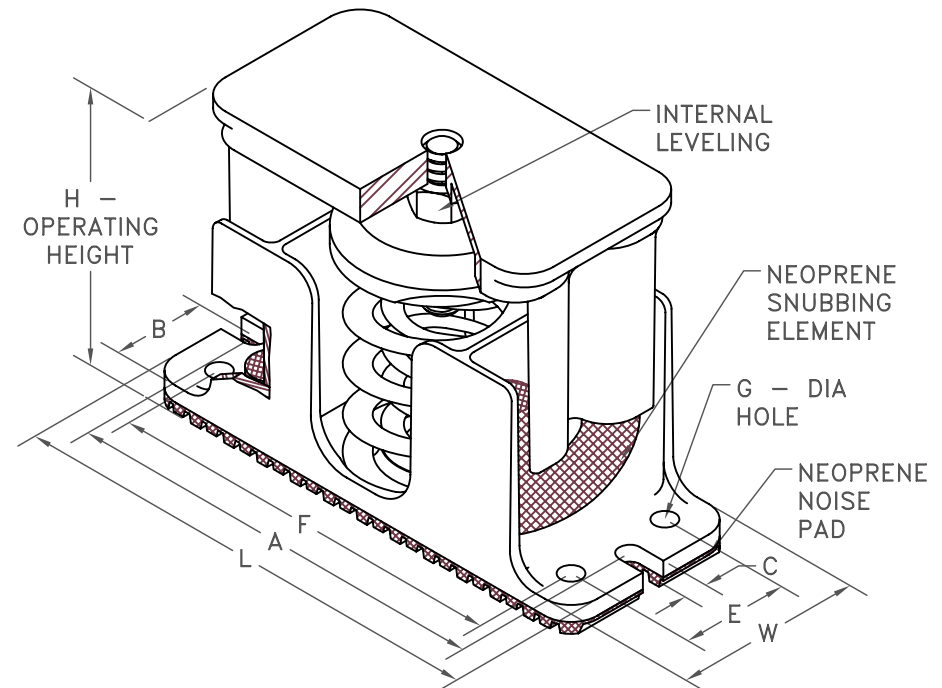
SLI 25 mm DEFLECTION ISOLATOR

S-I UNITS (mm AND kg)

| TYPE | A | B | C | E | F | G | H | L | W |
|-----------|-----|----|----|----|-----|----|-----|-----|----|
| 35A/805A | 143 | 27 | 8 | - | - | - | 103 | 156 | 54 |
| 50C/3500C | 203 | 44 | 11 | 51 | 191 | 11 | 141 | 229 | 89 |

NOTE: ALL MOUNTING DIMENSIONS SYMMETRIC ABOUT ISOLATOR CENTER

| STANDARD RATINGS | | SPRING COIL | | | | | |
|------------------|-------|-------------|-------|------|------|-------|-------|
| | | COLOR | | FREE | | RATED | |
| TYPE | SIZE | OUTER | INNER | HT. | O.D. | LOAD | DEFL. |
| SLI | 35A | BLUE | | 81 | 44 | 16 | 39 |
| SLI | 70A | GREEN | | 81 | 44 | 32 | 35 |
| SLI | 120A | GRAY | | 81 | 44 | 54 | 30 |
| SLI | 220A | BROWN | | 81 | 44 | 100 | 27 |
| SLI | 370A | ORANGE | | 81 | 44 | 168 | 24 |
| SLI | 500A | BEIGE | | 81 | 44 | 227 | 25 |
| SLI | 600A | CHROME | | 81 | 44 | 272 | 25 |
| SLI | 700A | BEIGE | WHITE | 81 | 44 | 318 | 25 |
| SLI | 805A | CHROME | WHITE | 81 | 44 | 365 | 26 |
| SLI | 50C | BEIGE | | 107 | 76 | 23 | 25 |
| SLI | 100C | CHROME | | 107 | 76 | 45 | 25 |
| SLI | 250C | BLUE | | 107 | 76 | 113 | 45 |
| SLI | 450C | GREEN | | 107 | 76 | 204 | 39 |
| SLI | 625C | BLACK | | 107 | 76 | 283 | 37 |
| SLI | 800C | GRAY | | 107 | 76 | 363 | 33 |
| SLI | 1000C | RED | | 107 | 76 | 454 | 29 |
| SLI | 1250C | BROWN | | 107 | 76 | 567 | 28 |
| SLI | 1700C | ORANGE | | 107 | 76 | 771 | 24 |
| SLI | 2200C | ORANGE | GRAY | 107 | 76 | 998 | 26 |
| SLI | 2465C | BLUE | | 107 | 76 | 1118 | 25 |
| SLI | 2865C | BLUE | GRAY | 107 | 76 | 1300 | 25 |
| SLI | 3500C | BLUE | BROWN | 107 | 76 | 1588 | 25 |



SPECIFICATIONS:

- HOUSED COIL SPRING ISOLATOR WITH INTERNAL SNUBBERS.
- POWDER COATED STEEL SPRING ELEMENTS.
OTHER METALLIC HARDWARE IS BRIGHT ZINC PLATED.
- 35A/805A HOUSINGS ARE CAST ALUMINUM, 50C/3500C ARE CAST IRON.
- MINIMUM OVERLOAD OF 50%.
- MINIMUM Kx/Ky RATIO OF 1.0.
- ALL ELEMENTS SAFE AT SOLID LOADING.
- ALL THREADED MEMBERS ARE AMERICAN STANDARD.



KINETICS NOISE CONTROL, INC
6300 IRELAN PL,
DUBLIN, OH 43017 USA
Ph: 614 889-0480, Fax: 614 889-0540
www.kineticsnoise.com

Model:
SLI-35A/3500C

By: BB
Date: 02/11/08
Revised: /

Drawing No:
S-01.26-11 METRIC