

# FLSS 4" DEFLECTION ISOLATOR

IP UNITS (INCHES AND POUNDS)

TYPE	L	W	T	A	B	D	E	F	d	H	TT
4-11000/23200	27.00	17.00	0.75	1.00	1.00	0.81	5.50	5.50	0.69	17.25	0.75

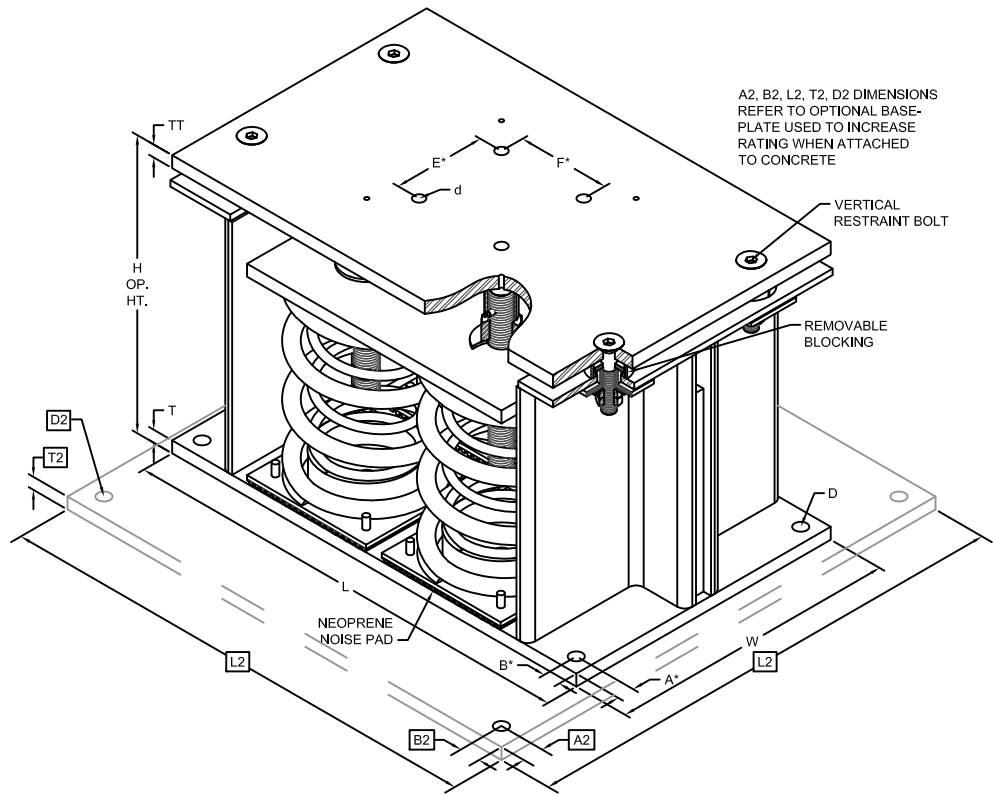
\*ALL MOUNTING BOLT PATTERNS SYMMETRICAL ABOUT ISOLATOR CENTER-LINE

STANDARD RATINGS		SPRING COIL					
TYPE	SIZE	COLOR		FREE		RATED	
		OUTER	INNER	HT.	O.D.	LOAD	DEFL.
FLSS	4-11000	BEIGE	GREEN	11.50	8.00	11000	4.00
FLSS	4-12000	BEIGE	BLACK	11.50	8.00	12000	4.00
FLSS	4-13000	BEIGE	RED	11.50	8.00	13000	4.00
FLSS	4-14000	BEIGE	BROWN	11.50	8.00	14000	4.00
FLSS	4-15400	BEIGE	ORANGE	11.50	8.00	15400	4.00
FLSS	4-16800	CHROME		11.50	8.00	16800	4.00
FLSS	4-17800	CHROME	BLUE	11.50	8.00	17800	4.00
FLSS	4-18800	CHROME	GREEN	11.50	8.00	18800	4.00
FLSS	4-19800	CHROME	BLACK	11.50	8.00	19800	4.00
FLSS	4-20800	CHROME	RED	11.50	8.00	20800	4.00
FLSS	4-21800	CHROME	BROWN	11.50	8.00	21800	4.00
FLSS	4-23200	CHROME	ORANGE	11.50	8.00	23200	4.00

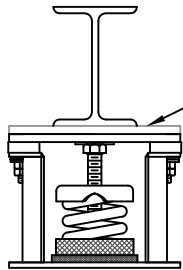
4-11000/23200 REQUIRES 0.75 DIA. x 4.75 MIN. EMBED ANCHORS IN CONCRETE

(ALLOWABLE LOADS BASED ON 3000 PSI MIN CONCRETE)

4-11000/23200 ANCHOR BOLT TORQUE - 150 FT-LB, PULL TEST - 3625 LB



A2, B2, L2, T2, D2 DIMENSIONS REFER TO OPTIONAL BASE-PLATE USED TO INCREASE RATING WHEN ATTACHED TO CONCRETE

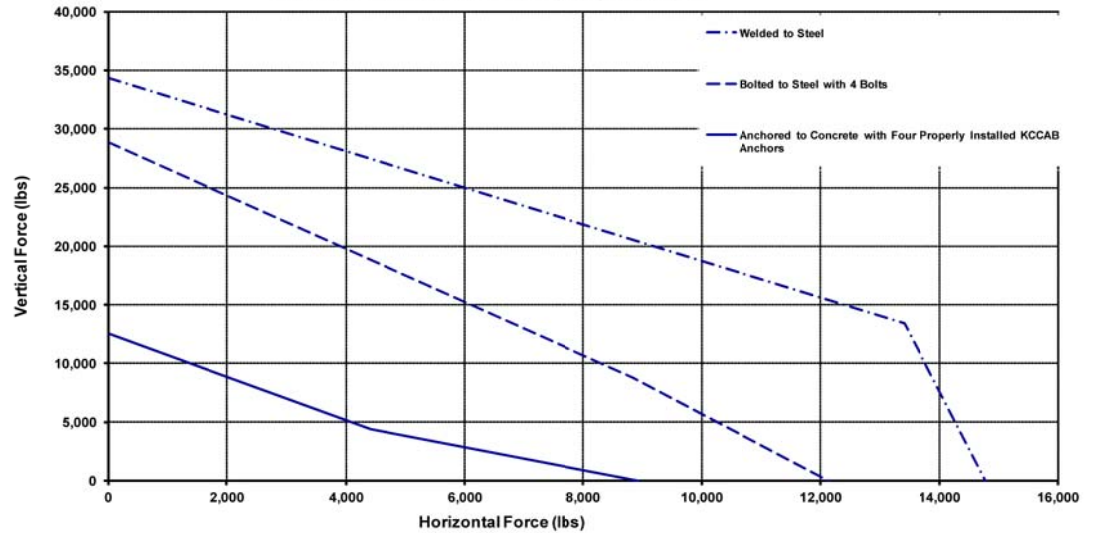


IF EQUIP SUPPORT STEEL IS 90° TO THE LONG ISOLATOR AXIS, AN ADD'L PLATE EQUAL IN THICKNESS TO THE TOP PLATE IS REQUIRED

## SPECIFICATIONS:

- VERTICALLY AND LATERALLY RESTRAINED SPRING ISOLATOR WITH CONSTANT FREE AND OPERATING HEIGHT AND REPLACEABLE NEOPRENE SNUBBING ELEMENTS.
- WHEN PROPERLY ADJUSTED, MAX. CLEARANCE IN SNUBBING ELEMENTS IS LIMITED TO 0.25 (6) INCHES.
- MINIMUM COIL OVERLOAD OF 50%.
- MINIMUM Kx/Ky RATIO OF 1.0.
- ALL ELEMENTS SAFE AT SOLID LOADING.
- POWDER COATED COILS AND HOT DIPPED GALVANIZED BRACKET.
- HOUSINGS MAY BE USED FOR BLOCKING DURING EQUIPMENT ERECTION.

FLSS-4-11000/23200 Seismic Capacity Envelopes



Computed horizontal and vertical seismic load combinations must fall within the restraint capacity envelope



KINETICS NOISE CONTROL, INC  
6300 IRELAN PL,  
DUBLIN, OH 43017 USA  
Ph: 614 889-0480, Fax: 614 889-0540  
www.kineticsnoise.com

Model:  
FLSS-4-  
11000/23200

By: JMJ  
Date: 07/15/02  
Revised: 05/20/11 / BB

Drawing No:  
S-01.22-44S