

# FLSS 4" DEFLECTION ISOLATOR

IP UNITS (INCHES AND POUNDS)

TYPE	L	W	T	A	B	D	E	F	d	H	TT
4-5500/11600	26.00	8.00	0.50	1.00	1.00	0.69	5.50	5.50	0.69	15.25	0.63

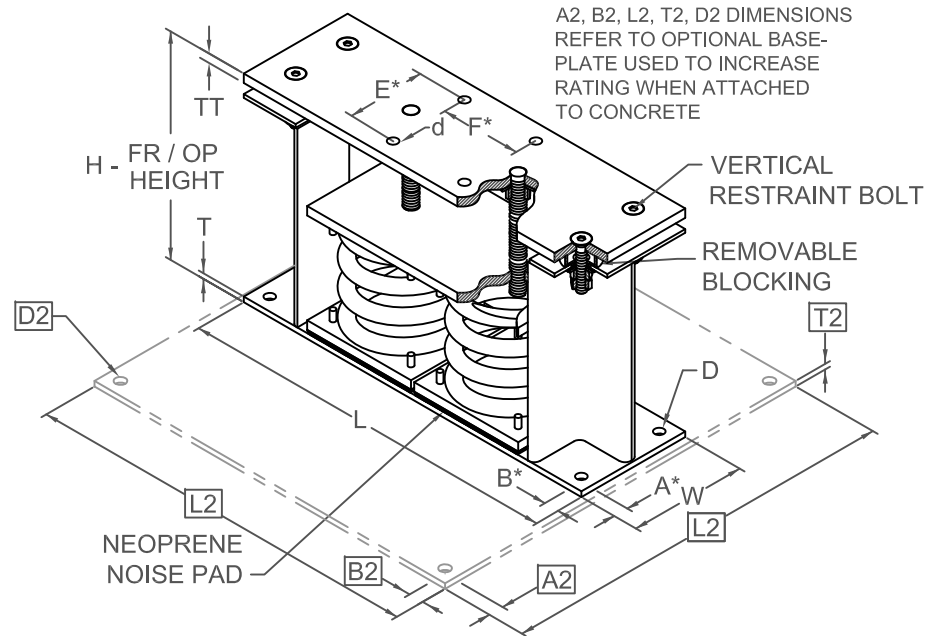
\*ALL MOUNTING BOLT PATTERNS SYMMETRICAL ABOUT ISOLATOR CENTER-LINE

STANDARD RATINGS		SPRING COIL					
TYPE	SIZE	COLOR		FREE		RATED	
		OUTER	INNER	HT.	O.D.	LOAD	DEFL.
FLSS	4-5500	BEIGE	GREEN	11.50	8.00	5500	4.00
FLSS	4-6000	BEIGE	BLACK	11.50	8.00	6000	4.00
FLSS	4-6500	BEIGE	RED	11.50	8.00	6500	4.00
FLSS	4-7000	BEIGE	BROWN	11.50	8.00	7000	4.00
FLSS	4-7700	BEIGE	ORANGE	11.50	8.00	7700	4.00
FLSS	4-8400	CHROME		11.50	8.00	8400	4.00
FLSS	4-8900	CHROME	BLUE	11.50	8.00	8900	4.00
FLSS	4-9400	CHROME	GREEN	11.50	8.00	9400	4.00
FLSS	4-9900	CHROME	BLACK	11.50	8.00	9900	4.00
FLSS	4-10400	CHROME	RED	11.50	8.00	10400	4.00
FLSS	4-10900	CHROME	BROWN	11.50	8.00	10900	4.00
FLSS	4-11600	CHROME	ORANGE	11.50	8.00	11600	4.00

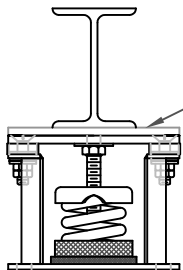
4-5500/11600 REQUIRES 0.62 DIA. x 4.00 MIN. EMBED ANCHORS IN CONCRETE

(ALLOWABLE LOADS BASED ON 3000 PSI MIN CONCRETE)

4-5500/11600 ANCHOR BOLT TORQUE - 75 FT-LB, PULL TEST - 2670 LB



A2, B2, L2, T2, D2 DIMENSIONS REFER TO OPTIONAL BASE-PLATE USED TO INCREASE RATING WHEN ATTACHED TO CONCRETE

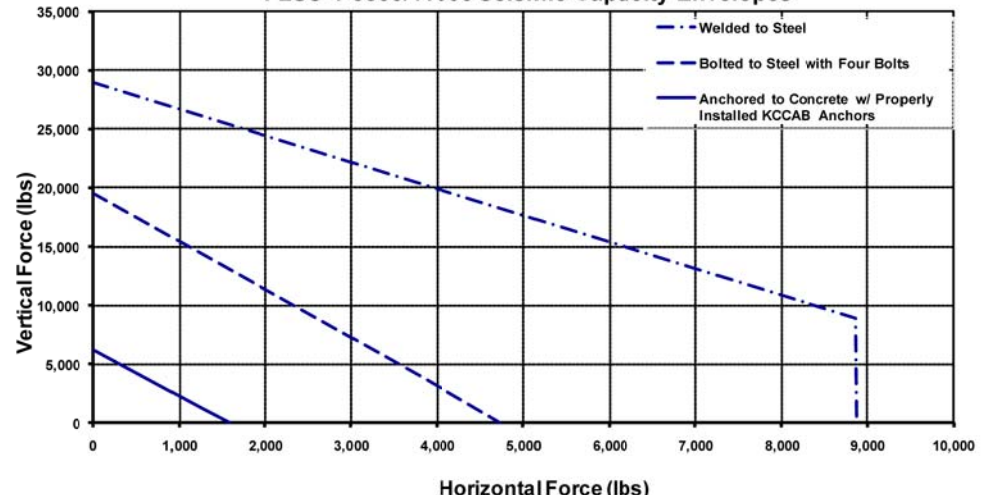


IF EQUIP SUPPORT STEEL IS 90° TO THE LONG ISOLATOR AXIS, AN ADD'L PLATE EQUAL IN THICKNESS TO THE TOP PLATE IS REQUIRED

## SPECIFICATIONS:

- VERTICALLY AND Laterally RESTRAINED SPRING ISOLATOR WITH CONSTANT FREE AND OPERATING HEIGHT AND REPLACEABLE NEOPRENE SNUBBING ELEMENTS.
- WHEN PROPERLY ADJUSTED, MAX. CLEARANCE IN SNUBBING ELEMENTS IS LIMITED TO 0.25 INCHES.
- MINIMUM COIL OVERLOAD OF 50%.
- MINIMUM Kx/Ky RATIO OF 1.0.
- ALL ELEMENTS SAFE AT SOLID LOADING.
- POWDER COATED COILS AND HOT DIPPED GALVANIZED BRACKET.
- HOUSINGS MAY BE USED FOR BLOCKING DURING EQUIPMENT ERECTION.

FLSS-4-5500/11600 Seismic Capacity Envelopes



Computed horizontal and vertical seismic load combinations must fall within the restraint capacity envelope



KINETICS NOISE CONTROL, INC  
6300 IRELAN PL,  
DUBLIN, OH 43017 USA  
Ph: 614 889-0480, Fax: 614 889-0540  
www.kineticsnoise.com

Model:  
FLSS-4-  
5500/11600

By: JMJ  
Date: 07/15/02  
Revised: 09/17/10 / BB

Drawing No:  
S-01.22-43S