

# FLSS 102 mm DEFLECTION ISOLATOR

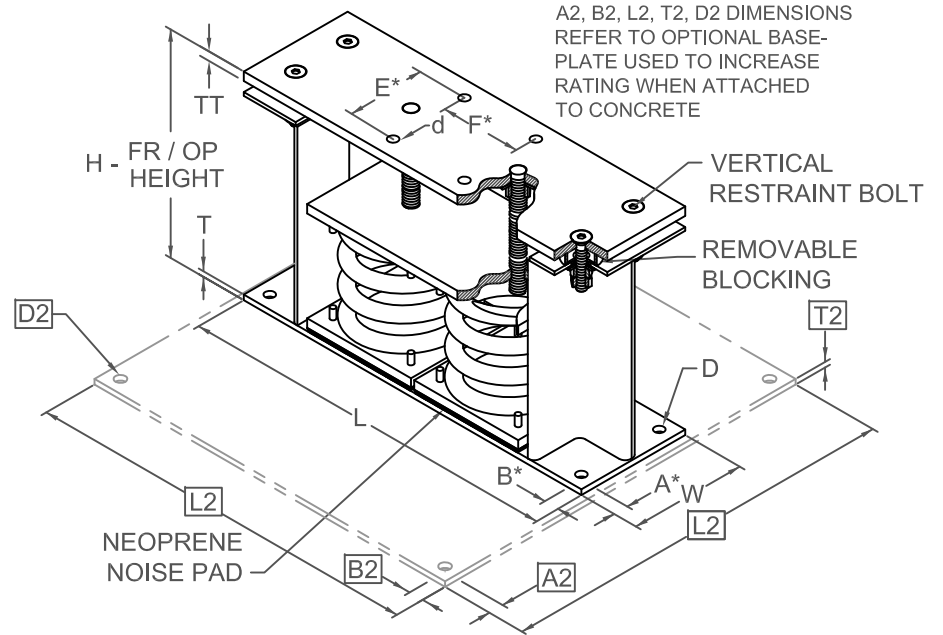
S-I UNITS (mm AND kg)

TYPE	L	W	T	A	B	D	E	F	d	H	TT
4-5500/11600	660	203	13	25	25	17	140	140	17	387	16

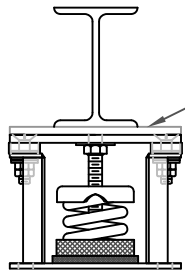
\*ALL MOUNTING BOLT PATTERNS SYMMETRICAL ABOUT ISOLATOR CENTER-LINE

STANDARD RATINGS	SPRING COIL						
	SIZE	COLOR		FREE	RATED		DEFL.
TYPE	SIZE	OUTER	INNER	HT.	O.D.	LOAD	DEFL.
FLSS	4-5500	BEIGE	GREEN	292	203	2495	102
FLSS	4-6000	BEIGE	BLACK	292	203	2722	102
FLSS	4-6500	BEIGE	RED	292	203	2948	102
FLSS	4-7000	BEIGE	BROWN	292	203	3175	102
FLSS	4-7700	BEIGE	ORANGE	292	203	3493	102
FLSS	4-8400	CHROME		292	203	3810	102
FLSS	4-8900	CHROME	BLUE	292	203	4037	102
FLSS	4-9400	CHROME	GREEN	292	203	4264	102
FLSS	4-9900	CHROME	BLACK	292	203	4491	102
FLSS	4-10400	CHROME	RED	292	203	4717	102
FLSS	4-10900	CHROME	BROWN	292	203	4944	102
FLSS	4-11600	CHROME	ORANGE	292	203	5262	102

4-5500/11600 REQUIRES 016 DIA. x 102 MIN. EMBED ANCHORS IN CONCRETE  
(ALLOWABLE LOADS BASED ON 21 MPa MIN CONCRETE)  
4-5500/11600 ANCHOR BOLT TORQUE - 102 N-M, PULL TEST - 1211 kg



A2, B2, L2, T2, D2 DIMENSIONS REFER TO OPTIONAL BASE-PLATE USED TO INCREASE RATING WHEN ATTACHED TO CONCRETE

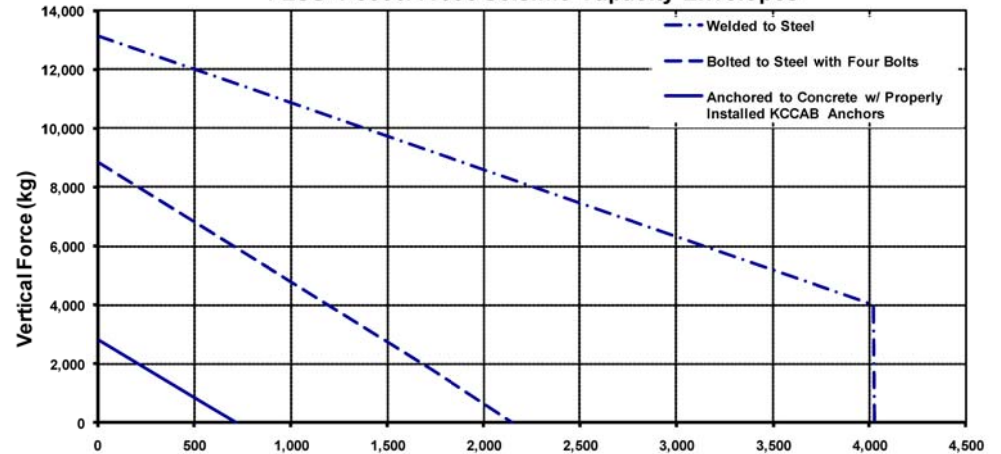


IF EQUIP SUPPORT STEEL IS 90° TO THE LONG ISOLATOR AXIS, AN ADD'L PLATE EQUAL IN THICKNESS TO THE TOP PLATE IS REQUIRED

## SPECIFICATIONS:

- VERTICALLY AND Laterally RESTRAINED SPRING ISOLATOR WITH CONSTANT FREE AND OPERATING HEIGHT AND REPLACEABLE NEOPRENE SNUBBING ELEMENTS.
- WHEN PROPERLY ADJUSTED, MAX. CLEARANCE IN SNUBBING ELEMENTS IS LIMITED TO 0.25 INCHES.
- MINIMUM COIL OVERLOAD OF 50%.
- MINIMUM Kx/Ky RATIO OF 1.0.
- ALL ELEMENTS SAFE AT SOLID LOADING.
- POWDER COATED COILS AND HOT DIPPED GALVANIZED BRACKET.
- HOUSINGS MAY BE USED FOR BLOCKING DURING EQUIPMENT ERECTION.

### FLSS-4-5500/11600 Seismic Capacity Envelopes



Computed horizontal and vertical seismic load combinations must fall within the restraint capacity envelope



KINETICS NOISE CONTROL, INC  
6300 IRELAN PL,  
DUBLIN, OH 43017 USA  
Ph: 614 889-0480, Fax: 614 889-0540  
www.kineticsnoise.com

Model:  
FLSS-4-  
5500/11600

By: JMJ  
Date: 07/15/02  
Revised: 09/17/10 / BB

Drawing No:  
S-01.22-43S  
METRIC